

TEZ6565R

[SPECIFICATIONS]

Image Size: $\frac{1}{3}$ $\frac{1}{4}$

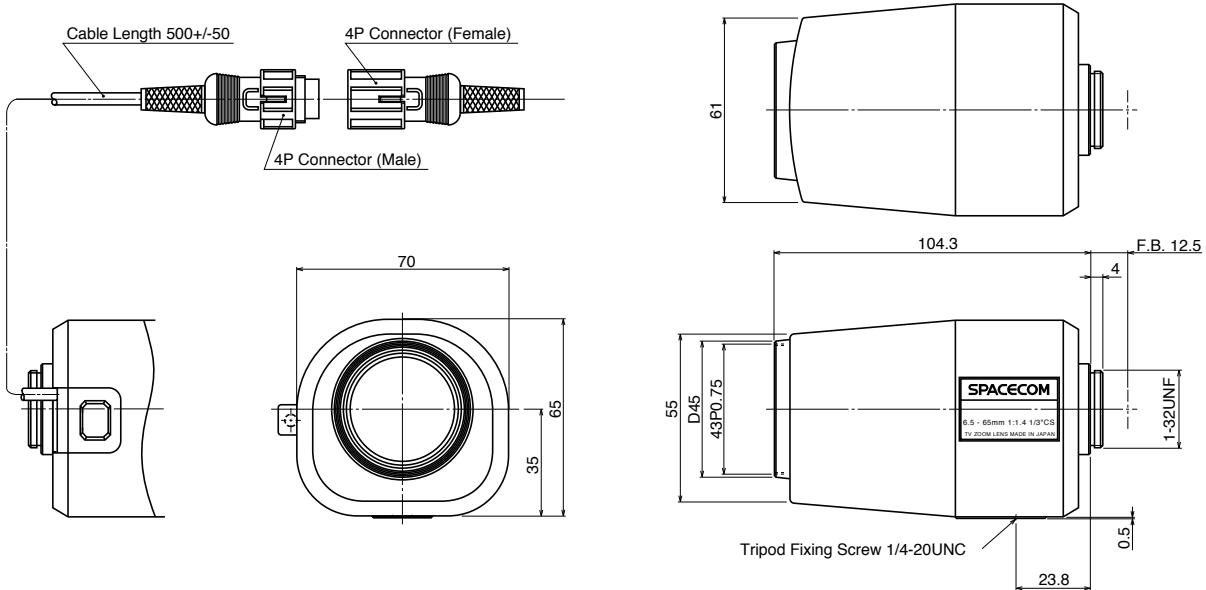
Focal Length :	6.5 - 65mm	Flange Back :	12.5mm
Maximum Relative Aperture :	1:1.4	Operation : Zoom :	Motorized(DC+/-6.4V, Max40mA) Speed Approx. 6.5sec.
Iris :	F1.4 - Close	Focus :	Motorized(DC+/-6.4V, Max40mA) Speed Approx. 6.5sec.
Zoom Ratio :	10X	Iris :	Motorized(DC+/-6.4V, Max40mA) Speed Approx. 3sec.
Angular Field of View :	40.5 X31.0 deg. at 6.5mm 4.2 X 3.2 deg. at 65mm	Operation Temperature :	-10 to +50
Image Format :	4.8X3.6mm(D6mm)	Mount :	CS-Mount(Adjustable Lens Position)
Minimum Object Distance :	1.2m(From Front Vertex)	Front Thread :	43mm P0.75
Object Dimensions at M.O.D. :	84.2X63.3cm at 6.5mm 8.4X 6.4cm at 65mm	Size, Weight :	70X65X104.3mm, Approx. 285g
Optical Back Focal Distance :	9.85mm(In Air)		

[COMPOSITION]

- Lens1
- Lens Cap1
- Dust Cap1

- 4-Conductor Connector(Female)1
(Any 4-conductor cable of external dia 6mm to be prepared separately.)

[DIMENSIONS]



Unit:mm

[CIRCUIT DIAGRAM]

