

TF2.8NI

[SPECIFICATIONS]

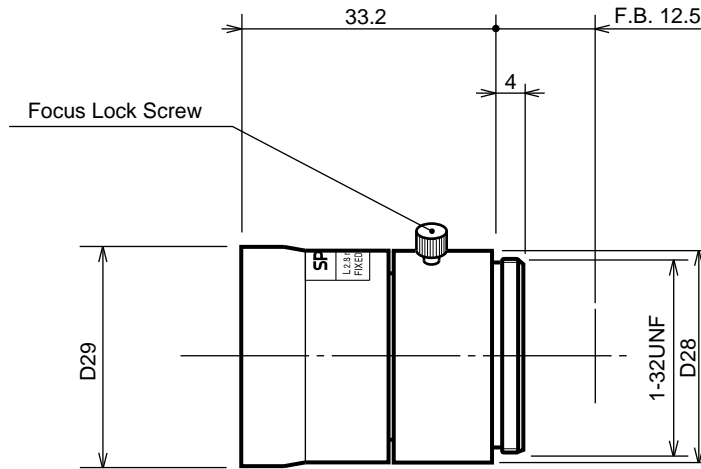
Image Size: $\frac{1}{3}$ $\frac{1}{4}$

Focal Length :	2.8mm	Optical Back Focal Distance :	8.5mm(In Air)
Maximum Relative Aperture :	1:1.3	Flange Back :	12.5mm
Iris :	Without Diaphragm	Operation :	Without Focus Ring Focus adjustment is available by F.B Adjustment Ring
Angular Field of View :	92.0 X71.7 deg.	Operation Temperature :	-10 to +50
Image Format :	4.8X3.6mm(D6mm)	Mount :	CS-Mount
Minimum Object Distance :	0.1m(From Front Vertex)	Size, Weight :	D29X33.2mm, Approx. 35g
Object Dimensions at M.O.D. :	22.6X16.3cm		

[COMPOSITION]

- Lens1
- Lens Cap1
- Dust Cap1

[DIMENSIONS]



Unit:mm