

# TF8M

Image Size:  $\frac{1}{3}$   $\frac{1}{4}$

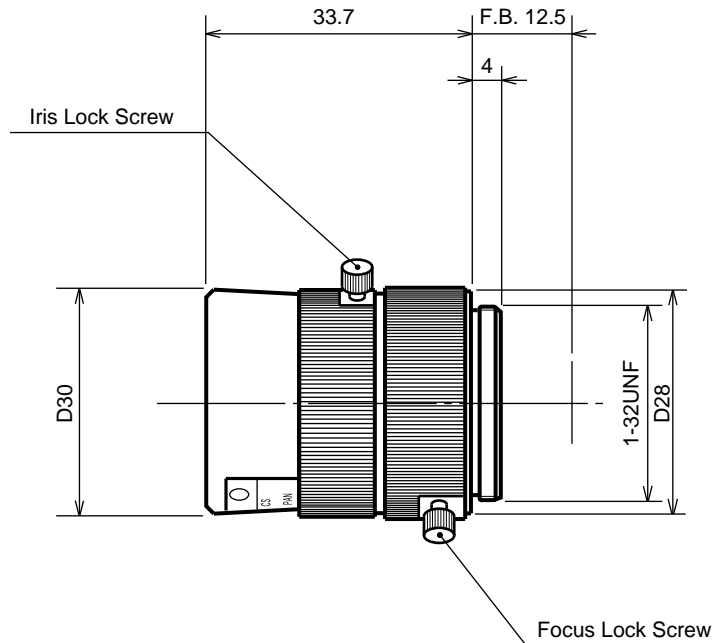
**[SPECIFICATIONS]**

Focal Length :	8mm	Flange Back :	12.5mm
Maximum Relative Aperture :	1:1.2	Operation :	Focus : Manual Iris : Manual
Iris :	F1.2 - Close	Operation Temperature :	-10 to +50
Angular Field of View :	37.5 X27.7 deg.	Mount :	CS-Mount
Image Format :	4.8X3.6mm(D6mm)	Size, Weight :	D30X33.7mm, Approx. 35g
Minimum Object Distance :	0.1m(From Front Vertex)		
Object Dimensions at M.O.D. :	7.9X 6.0cm		
Optical Back Focal Distance :	10.7mm(In Air)		

**[COMPOSITION]**

- Lens .....1
- Lens Cap .....1
- Dust Cap .....1

**[DIMENSIONS]**



Unit:mm