

# TP3.8M

## 【SPECIFICATIONS】

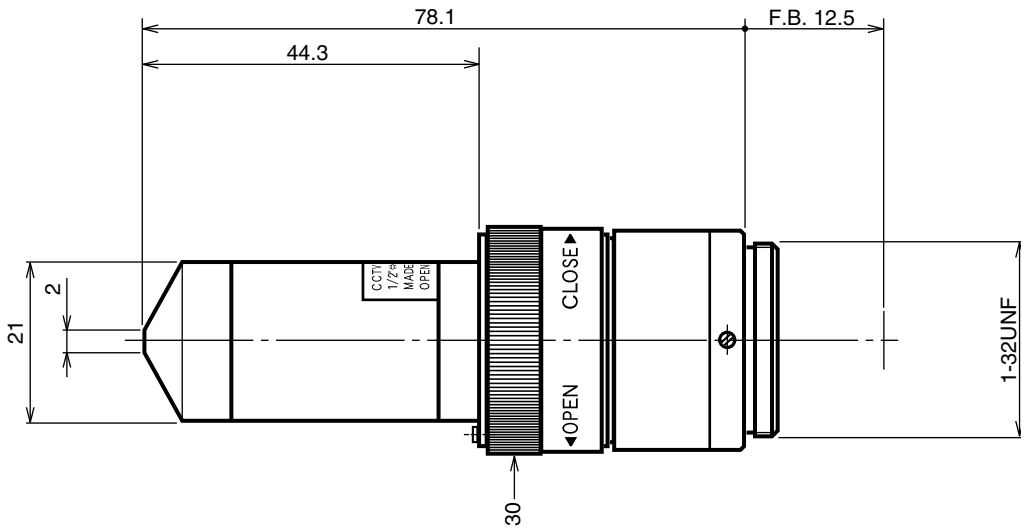
Image Size :  $\frac{1}{3}$   $\frac{1}{4}$

Focal Length :	3.8mm	Operation :	Focus : Manual Iris : Manual
Maximum Relative Aperture :	1:2.4	Operating Temperature :	-10 ~ +50
Iris :	F2.4 ~ Close	Mount :	CS-Mount
Angle of View :	64.6 × 50.7 deg	Size :	30 × 78.1mm
Image Size :	4.8 × 3.6mm ( 6mm )	Weight :	Approx . 75 g
Minimum Object Distance :	1.0m ( From Front Vertex )		
Optical Back Focal Distance :	10.41mm ( In Air )		
Flange Back :	12.5mm		

## 【COMPOSITION】

- Lens . . . . . 1
- Lens Cap . . . . . 1
- Dust Cap . . . . . 1

## 【DIMENSIONS】



Unit:mm