

TV308M-2

[SPECIFICATIONS] F1.2 DAY&NIGHT LENS

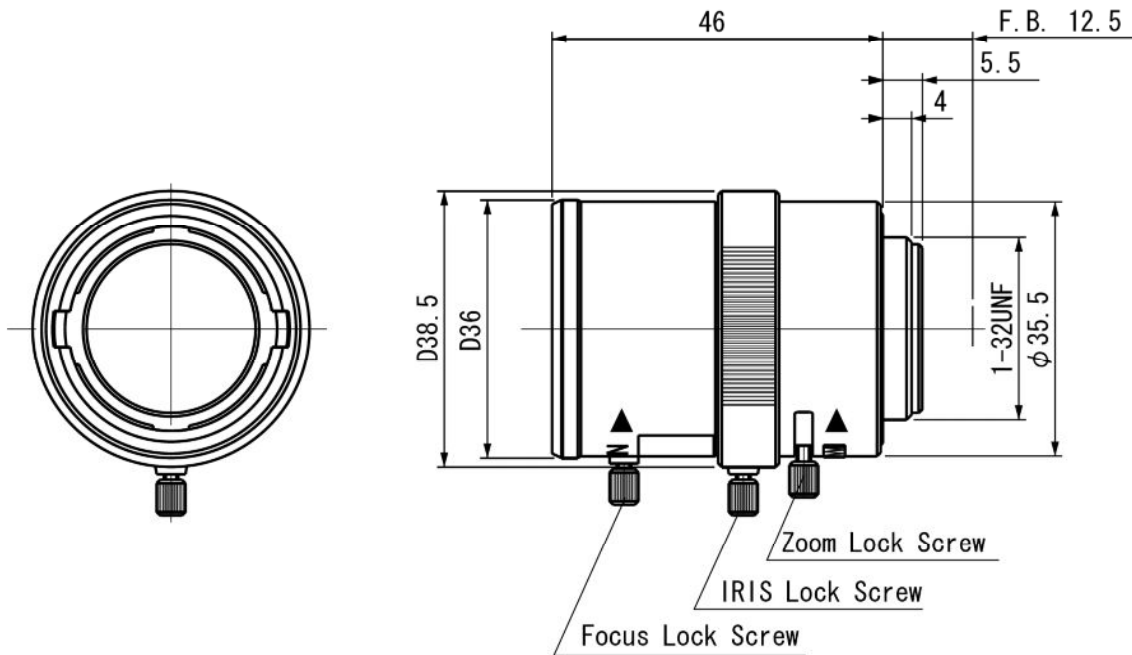
Image Size: $\frac{1}{3}$ $\frac{1}{4}$

Focal Length :	3 - 8mm	Optical Back Focal Distance :	7.25 -12.81mm(In Air)
Maximum Relative Aperture :	1:1.2	Flange Back :	12.5mm
Iris :	F1.2 - Close	Operation :	Focus : Manual ZOOM : Manual Iris : Manual
Angular Field of View :	92.5 X68.5 deg. at 3mm 35.6 X26.7 deg. at 8mm	Operation Temperature :	-10 to +50
Image Format :	4.8X3.6mm(D6mm)	Mount :	CS-Mount
Minimum Object Distance :	0.3m(From Front Vertex)	Size, Weight :	D38.5mm, Approx. 43g
Object Dimensions at M.O.D. :	63.1X40.4cm at 3mm 19.3X14.3cm at 8mm		

[COMPOSITION]

- Lens 1
- Lens Cap 1
- Dust Cap 1

[DIMENSIONS]



Unit:mm