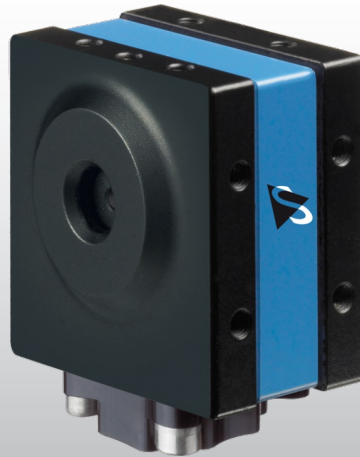


## DFK AFU420-L62 Color Camera

The Imaging Source "AF" Series USB 3.0 Camera



**Only 36×36×26 mm**

Integrated lens

The Imaging Source DFK AFU420-L62 color camera has a USB 3.0 interface and is the perfect solution for many industrial automation, quality assurance, security, surveillance and medical applications. With up to 110 images per second, the DFK AFU420-L62 is a low cost, yet highly versatile imaging solution. The camera integrates an autofocus lens (One-touch)

The Imaging Source authors and supports drivers, SDKs, extensions and end-user software for Microsoft Windows, which can be freely downloaded from our web site. Extensions for Microsoft Windows enable the DFK AFU420-L62 to be integrated in to common machine vision software libraries, such as LabView and OpenCV.

### Features

- USB 3.0 interface
- $\frac{2}{3}$  inch CMOS sensor
- 7,728×5,368 (41.5 MP)
- Up to 110 images per second
- Rolling shutter
- Only 36×36×26 mm
- Manufactured by The Imaging Source
- Ships with Windows software

### Accessories

- Standard USB 3.0 cable in various lengths
- 3 m USB 3.0 cable with fixing screws

### Software Development Kits (SDKs) for Microsoft Windows

IC Imaging Control .NET Component for C#, VB.NET, C++ Class Library for C++ projects, IC Imaging Control C Library, IC 3D SDK - C, C++ library for stereo depth estimation, IC Imaging Control ActiveX, IC Imaging Control ActiveX Runtime Setup

### Extensions for Microsoft Windows

TWAIN Source for IC Imaging Control, Cognex VisionPro AIK Plugin for IC Imaging Control, LabVIEW Extension for IC Imaging Control, IC Matlab Plugin for Matlab 10.0 R2010, IC Matlab Plugin for Matlab R2013b and higher versions, IC NeuroCheck Driver for NeuroCheck 6.0, IC NeuroCheck Driver for NeuroCheck 6.1

### End User Software for Microsoft Windows

IC Capture - image acquisition, IC Measure - manual on-screen image measurement and image acquisition, IC 3D - User friendly stereo calibration, depth estimation and 3D visualization, IC Fullscreen Presenter, IC Line Profiler, Footswitch software for IC Capture, Scan2Docx, Scan2Docx OCR, Scan2Voice

## DFK AFU420-L62 Specification

### GENERAL BEHAVIOR

Dynamic range	8/12 bit
Video formats @ frame rate (maximum)	7,728×5,368 (41.5 MP) RGB32 @ 7 fps 5,424×5,360 (29.1 MP) RGB32 @ 10 fps 1,920×1,080 (2.1 MP) RGB32 @ 110 fps 5,424×5,360 (29.1 MP) RGB64 @ 6.7 fps 1,920×1,080 (2.1 MP) RGB64 @ 74 fps 7,728×5,368 (41.5 MP) Y800 @ 7 fps 5,424×5,360 (29.1 MP) Y800 @ 10 fps 1,920×1,080 (2.1 MP) Y800 @ 110 fps 5,424×5,360 (29.1 MP) Y16 @ 6.7 fps 1,920×1,080 (2.1 MP) Y16 @ 74 fps

### INTERFACE (OPTICAL)

IR cut filter	✓
Sensor type	CMOS
Shutter	rolling
Format	2/3 inch
Pixel size	H: 1.12 µm, V: 1.12 µm
Focal length	6.2 mm
F-Stop	2.2
MOD	15 cm
Focus	One touch

### INTERFACE (ELECTRICAL)

Interface	USB 3.0
Supply voltage	4.5 VDC to 5.5 VDC
Current consumption	approx 250 mA @ 5 VDC
Auto iris control	✗
Trigger	✗
I/Os	✗

### INTERFACE (MECHANICAL)

Dimensions	H: 36 mm, W: 36 mm, L: 26 mm
Mass	70 g

### ADJUSTMENTS

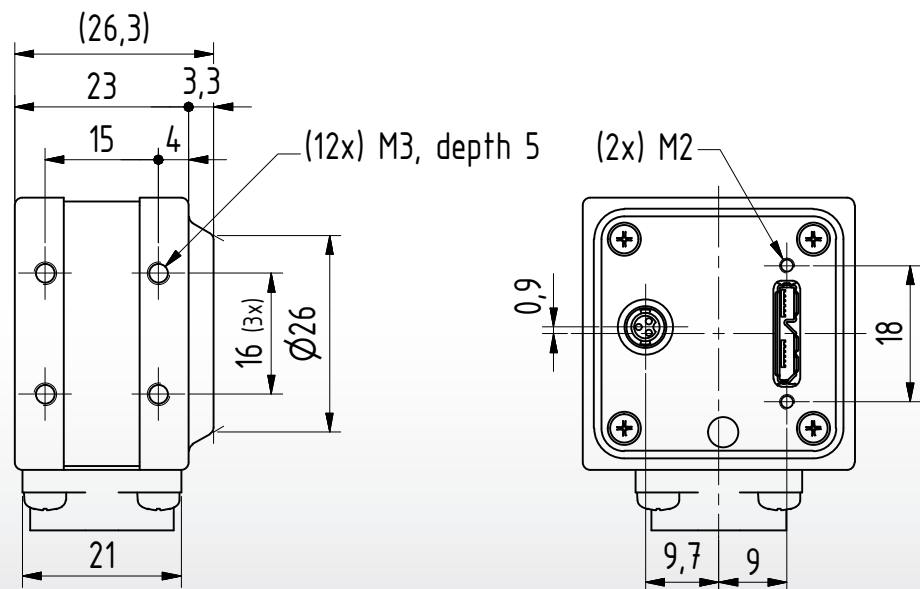
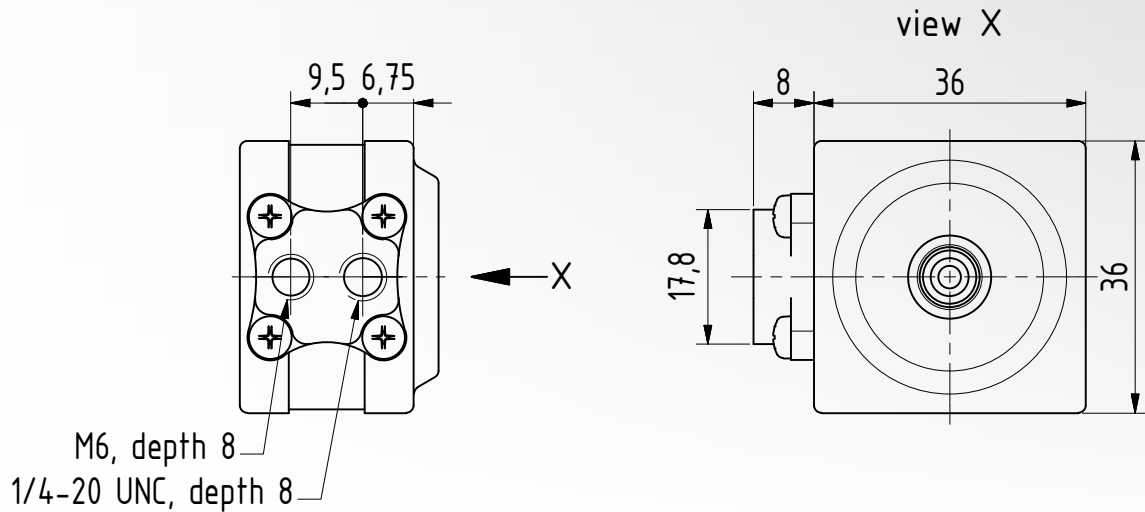
Shutter	1/1,000,000 s to 1/2 s
Gain	0 dB to 12 dB
White balance	-2 dB to 6 dB

### ENVIRONMENTAL

Temperature (operating)	-5 °C to 45 °C
Temperature (storage)	-20 °C to 60 °C

Subject to change

## DFK AFU420-L62 Dimensional Diagram



Dimensions: mm  
 Tolerances: DIN ISO 2768m



## Machine vision, designed in Germany



**Ever since The Imaging Source was founded in 1990, it has been one of the leading manufacturers of industrial cameras, frame grabbers and video converters for automation, quality assurance, logistics, medicine, science and security.**

Our extensive range of industrial cameras ships with USB 3.0, USB 2.0, GigE, FireWire 800 and FireWire 400 interfaces. Thanks to their multi-purpose features and extremely high quality standards, the cameras are commonly used in demanding applications.

The software support offered by the cameras fulfill the requirements of demanding end-users and programmers. The cameras can be put into operation within a few minutes, or integrated into new or existing applications with only a few lines of code. All camera drivers are Microsoft certified. The ease with which the cameras can be integrated, the corresponding low integration costs, and the high quality of the software set the industry standard.

All cameras, frame grabbers and video converters, manufactured by The Imaging Source, are the result of decades of experience, uncompromisingly high quality standards, and continual development. Developers and system engineers prefer The Imaging Source cameras due to their ease of system integration.

## World-Class Software and Customer Care



**What really separates The Imaging Source from its competitors is the comprehensive Windows and Linux software available free of charge with all its products, and the unsurpassed level of customer service.**

The Imaging Source authors and supports device drivers, software development kits (SDKs), programming samples, extensions, end-user software and software tools for Microsoft Windows. All Windows software can be download directly from our web site:

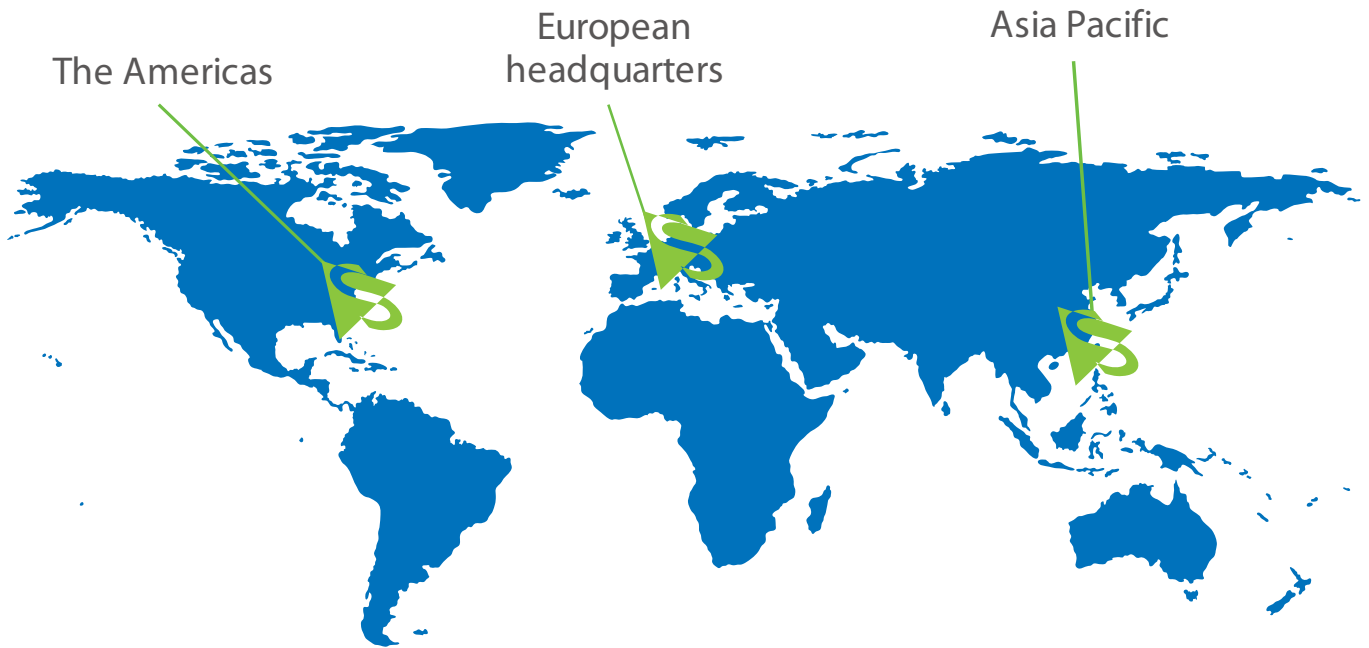
<http://www.theimagingsource.com>

Additionally, The Imaging Source authors and supports open source drivers and end-user software for Linux. The Linux source code, which is released under the Apache License 2.0, enables you to integrate all machine vision cameras into popular Linux distributions. The Open Source code is available to download from GitHub:

<https://github.com>

The Imaging Source guarantees fast and efficient customer service for all hardware and software issues via our skilled customer service representatives. Not only will we provide support regarding technical issues, but we will also work with you to implement our components into your project. Contact customer service at:

<http://www.theimagingsource.com>



PRESENT ALL OVER THE WORLD

**THE IMAGING SOURCE, LLC**

Suite 400  
6926 Shannon Willow Rd  
Charlotte, NC 28226  
United States

Tel: +1 704-370-0110  
Fax: +1 704-542-0936

**THE IMAGING SOURCE EUROPE GMBH**

Überseetor 18  
28217 Bremen  
Germany

Tel: +49 421 335910  
Fax: +49 421 3359180

**THE IMAGING SOURCE ASIA CO., LTD.**

2F., No.8, Xinhua 1st Road  
Taipei City 114, Neihu District  
Taiwan

Tel: +886 2 2792 3153  
Fax: +886 2 2792 6583

All product and company names in this document may be trademarks and tradenames of their respective owners and are hereby acknowledged. The Imaging Source, LLC cannot and does not take any responsibility or liability for any information contained in this document. The source code in this document may be used exclusively used for educational purposes. The Imaging Source, LLC does not assume any kind of warranty expressed or implied, resulting from the use of the content of this document or the source code. The Imaging Source, LLC reserves the right to make changes in specifications, function or design at any time and without prior notice.

All weights and dimensions are approximate. Unless otherwise specified the lenses shown in the context of cameras are not shipped with these cameras.

Reprint, also in parts, only allowed with permission of The Imaging Source, LLC.

Last update: December 18, 2017 at 3:00 PM. © 2017 The Imaging Source, LLC. All rights reserved.