



Technical Details



# DFK 33GV024 Technical Reference Manual



<b>1. Quick Facts</b>	<b>4</b>
<b>2. Dimensional Diagrams</b>	<b>6</b>
2.1 DFK 33GV024 C-Mount with Tripod Adapter .....	6
2.2 DFK 33GV024 C-Mount without Tripod Adapter .....	7
2.3 DFK 33GV024 CS-Mount with Tripod Adapter .....	8
2.4 DFK 33GV024 CS-Mount without Tripod Adapter .....	9
<b>3. I/O Connector</b>	<b>10</b>
3.1 6-pin I/O Connector .....	10
3.1.1 TRIGGER_IN .....	10
3.1.2 STROBE_OUT .....	11
<b>4. Spectral Characteristics</b>	<b>12</b>
4.1 IR-Cut Filter .....	12
4.2 Spectral Sensitivity - MT9V024 .....	12
<b>5. Camera Controls</b>	<b>13</b>
<b>5.1 Sensor Readout Control</b> .....	<b>13</b>
5.1.1 Pixel Format .....	13
5.1.1.1 8-Bit Bayer Raw .....	14
5.1.1.2 12-Bit Packed Bayer Raw .....	14
5.1.1.3 16-Bit Bayer Raw .....	14
5.1.1.4 YUV 4:2:2 .....	14
5.1.1.5 YUV 4:1:1 .....	15
5.1.1.6 RGB24 .....	15
5.1.2 Resolution .....	15
5.1.3 Frame Rate .....	16
5.1.4 Partial Scan Offset .....	18
5.1.5 Image Flipping .....	19
<b>5.2 Image Sensor Control</b> .....	<b>19</b>
5.2.1 Exposure Time .....	19
5.2.2 Gain .....	19
<b>5.3 Automatic Exposure and Gain Control</b> .....	<b>20</b>
5.3.1 Auto Exposure .....	20
5.3.2 Auto Gain .....	21
5.3.3 Auto Reference Value .....	21
5.3.4 Highlight Reduction .....	21
5.3.5 Auto Exposure Limits .....	22
5.3.6 Auto Gain Limits .....	22
<b>5.4 Trigger</b> .....	<b>23</b>
5.4.1 Trigger Mode .....	23
5.4.2 Trigger Polarity .....	23



# Table of Contents

- 5.4.3 Software Trigger ..... 24
- 5.4.4 Trigger Burst Count ..... 24
- 5.4.5 Trigger Source ..... 24
- 5.4.6 Trigger Overlap ..... 24
- 5.5 Trigger Timing Parameters ..... 25**
  - 5.5.1 Trigger Delay ..... 25
  - 5.5.2 Trigger Debounce Time ..... 25
  - 5.5.3 Trigger Mask Time ..... 26
  - 5.5.4 Trigger Noise Suppression Time ..... 26
- 5.6 Digital I/O ..... 26**
  - 5.6.1 General Purpose Input ..... 27
  - 5.6.2 General Purpose Output ..... 27
- 5.7 Strobe ..... 27**
  - 5.7.1 Strobe Enable ..... 27
  - 5.7.2 Strobe Polarity ..... 28
  - 5.7.3 Strobe Operation ..... 28
- 5.8 White Balance ..... 28**
  - 5.8.1 Auto White Balance ..... 29
  - 5.8.2 White Balance Mode ..... 29
  - 5.8.3 Manual White Balance ..... 30
- 5.9 Image Processing ..... 32**
  - 5.9.1 Gamma ..... 32
  - 5.9.2 Lookup Table ..... 32
- 5.10 Color Processing ..... 33**
  - 5.10.1 Hue ..... 33
  - 5.10.2 Saturation ..... 34
  - 5.10.3 Color Correction Matrix ..... 34
- 5.11 Region of Interest for Auto Functions ..... 37**
  - 5.11.1 Auto Functions ROI Enable ..... 37
  - 5.11.2 Auto Functions ROI Preset ..... 37
  - 5.11.3 Auto Functions ROI Custom Rectangle ..... 38
- 5.12 User Sets ..... 39**
  - 5.12.1 User Set Selector ..... 39
  - 5.12.2 Load User Set ..... 39
  - 5.12.3 Save User Set ..... 40
  - 5.12.4 Default User Set ..... 40
- 6. Revision History ..... 41**



## 1 Quick Facts

General	
Vision Standard	GigE Vision
Dynamic Range	10 bit
Resolution	752x480
Frame Rate at Full Resolution	100
Pixel Formats	8-Bit Bayer (GB) 12-Bit Bayer Packed (GB) 16-Bit Bayer (GB) YUV 4:2:2 YUV 4:1:1 RGB24

Optical Interface	
IR-Cut filter	Yes
Sensor Type	Aptina MT9V024
Shutter Type	Global
Sensor Format	1/3 inch
Pixel Size	6 $\mu\text{m}$
Lens Mount	C/CS

Electrical Interface	
Interface	GigE
Supply voltage	11 VDC to 13 VDC or POE: 56 VDC to 56 VDC
Current consumption	approx 400 mA @ 12 VDC
I/O Connector	6-pin connector for power supply, trigger and strobe or general purpose input/output

Mechanical Data	
Dimensions	H: 29 mm, W: 29 mm, L: 57 mm
Mass	65 g



<b>Adjustments</b>	
Shutter	15 $\mu$ s to 0.25 s
Gain	0 dB to 11.76 dB

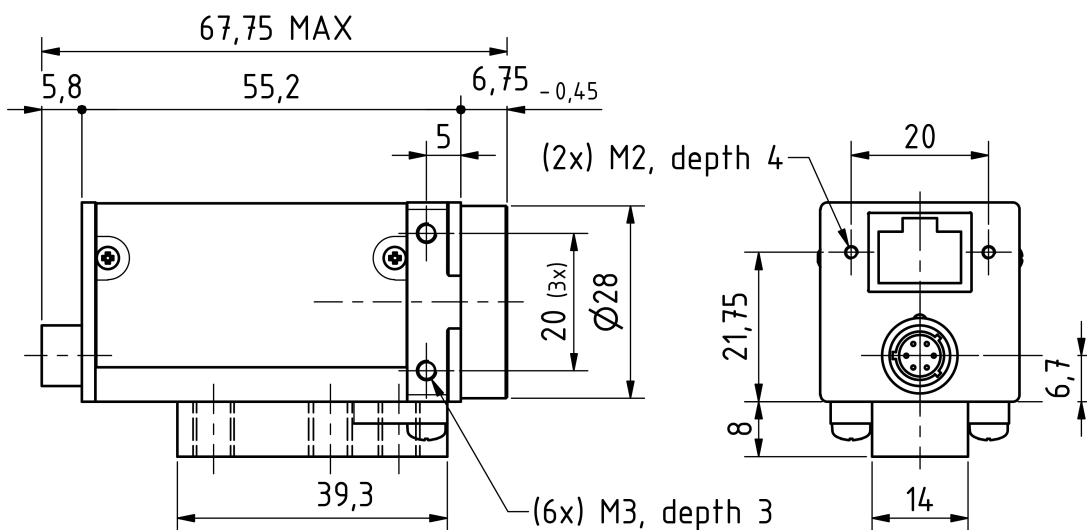
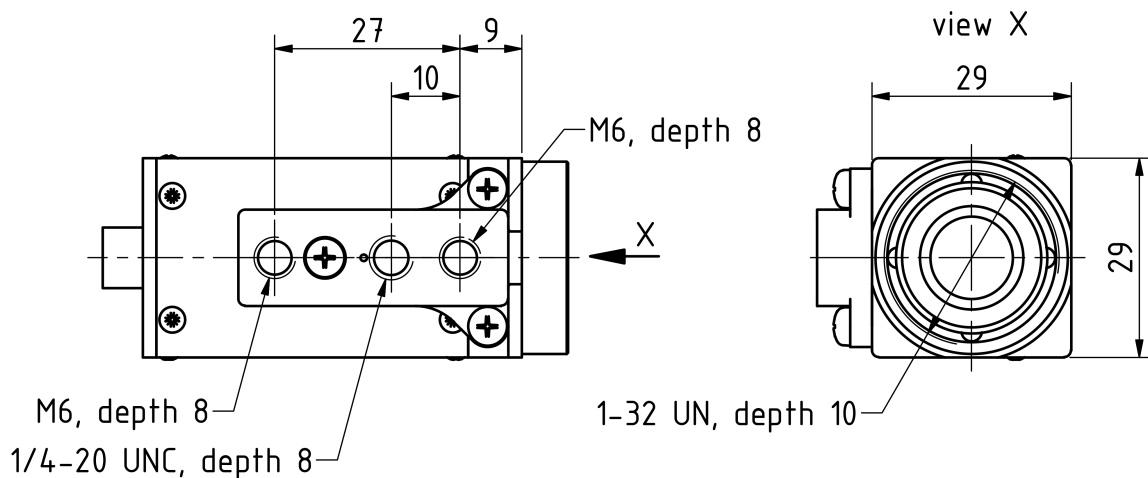
<b>Environmental</b>	
Temperature (operating)	-5 °C to 45 °C
Temperature (storage)	-20 °C to 60 °C
Humidity (operating)	20 % to 80 % (non-condensing)
Humidity (storage)	20 % to 95 % (non-condensing)



# Dimensional Diagrams

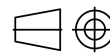
## 2 Dimensional Diagrams

### 2.1 DFK 33GV024 C-Mount with Tripod Adapter



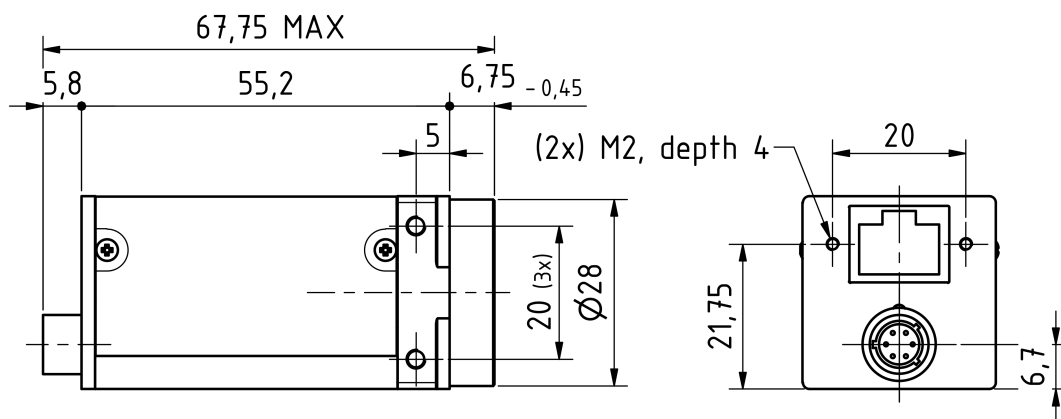
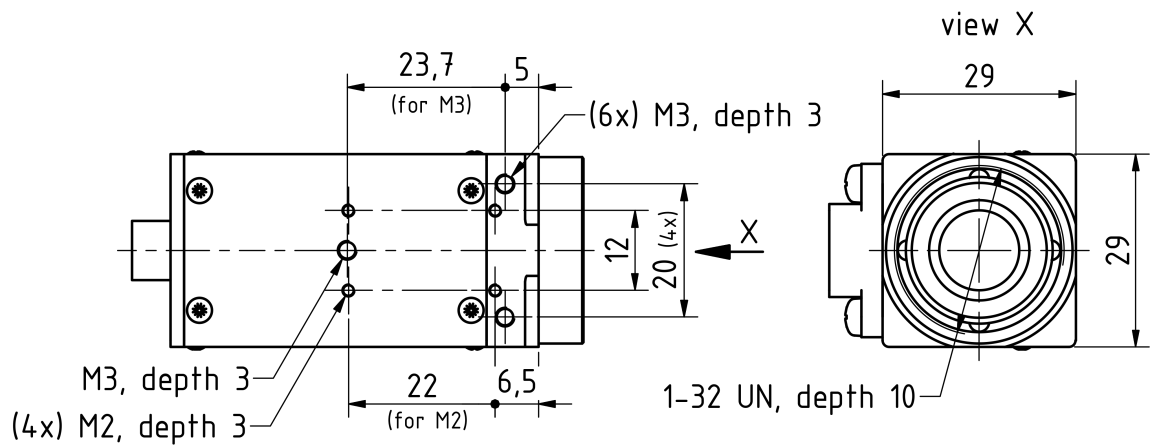
Dimensions: mm

Tolerances: DIN ISO 2768m

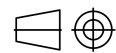




## 2.2 DFK 33GV024 C-Mount without Tripod Adapter

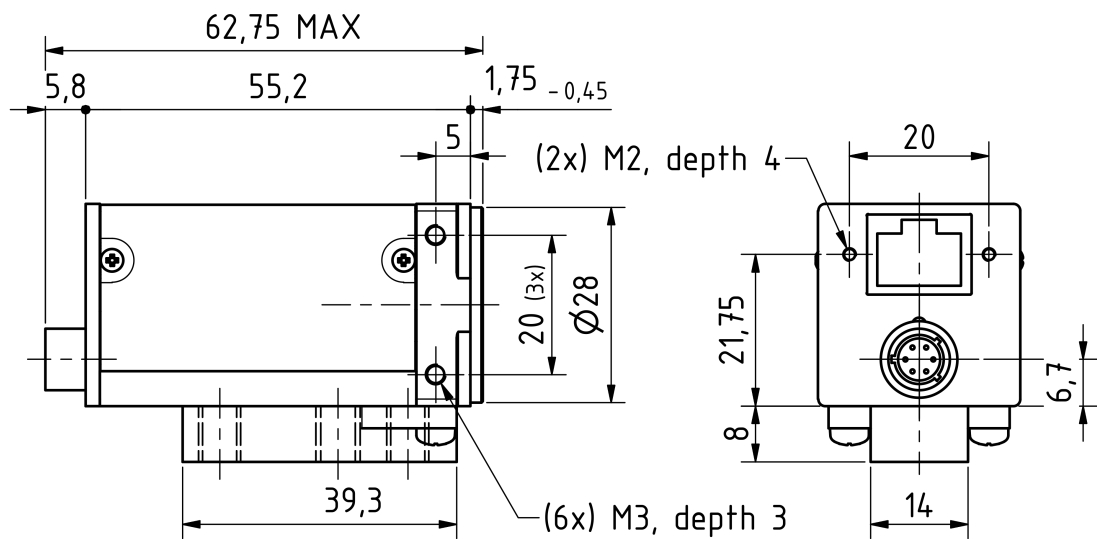
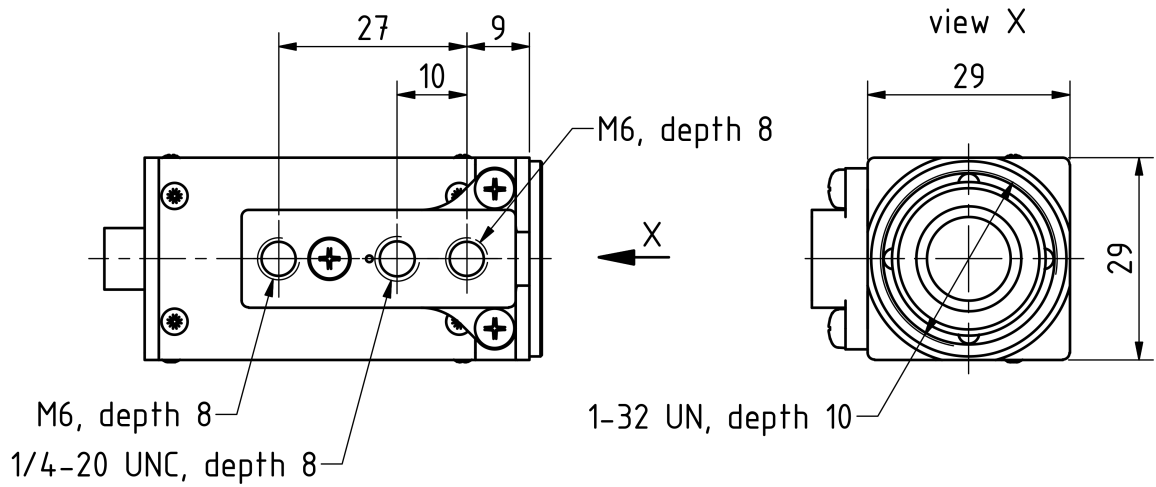


Dimensions: mm  
Tolerances: DIN ISO 2768m





## 2.3 DFK 33GV024 CS-Mount with Tripod Adapter



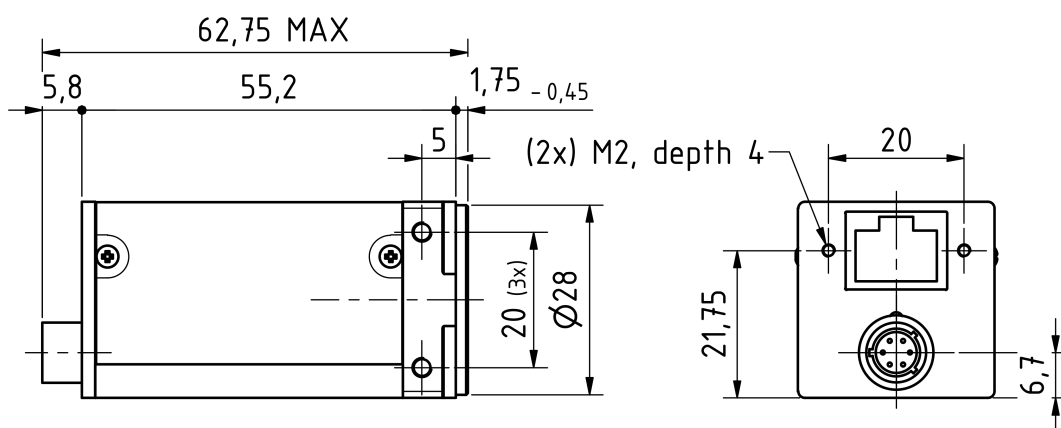
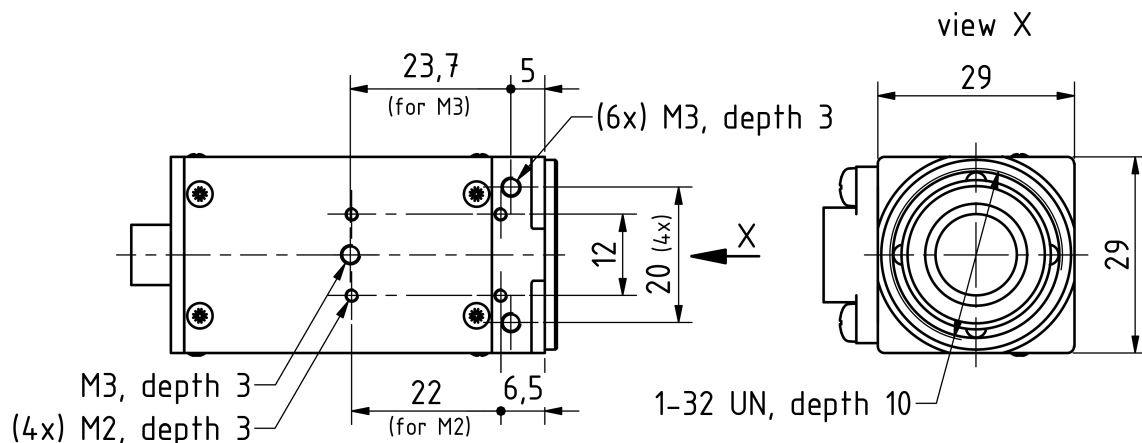
Dimensions: mm  
Tolerances: DIN ISO 2768m







## 2.4 DFK 33GV024 CS-Mount without Tripod Adapter



Dimensions: mm

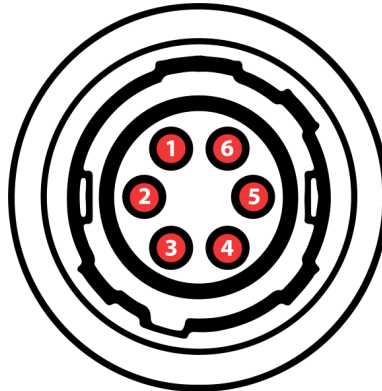
Tolerances: DIN ISO 2768m





## 3 I/O Connector

### 3.1 6-pin I/O Connector



Rear view of camera

Pin	Signal	I/O	Remarks	Characteristics			
				Min	Typ	Max	Unit
1	GigE Power Supply	P <sup>3</sup>		11.0	12.0	13.0	V
2	TRIGGER_IN (+)	I <sup>3</sup>	Optocoupler signal	3.3 <sup>2</sup>	-	24.0 <sup>2</sup>	V
3	TRIGGER_IN (-)	I <sup>3</sup>	Optocoupler ground	-	-	-	-
4	STROBE_OUT	O <sup>3</sup>	Open drain	-	-	24.0 <sup>1</sup>	V
5	GND_I/O	G <sup>3</sup>	External Ground (Open Drain)	-	-	-	-
6	GND_DC	G <sup>3</sup>	External Ground (Power Supply)	-	-	-	-

<sup>1</sup> max. 0.2A (ID) for open drain MOSFET!

<sup>2</sup> min. 3.5 mA driver strength required!

<sup>3</sup> G: Ground O: Output I: Input

The part number of this Hirose connector is HR10A-7R-6P(73). To create an I/O cable you need a Hirose connector HR10A-7P-6S(73).

#### 3.1.1 TRIGGER\_IN

The *TRIGGER\_IN* line can be used to synchronize the start of the exposure time with external events. The [Trigger](#) section describes in detail how the image sensor's behavior can be controlled.



The current input signal can also be read directly through the [General Purpose Input](#) feature.

### 3.1.2 STROBE\_OUT

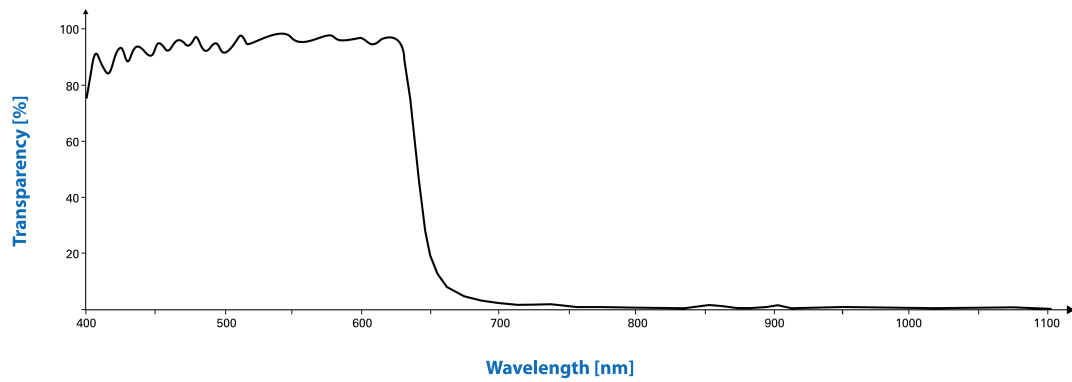
The *STROBE\_OUT* line's main usage is to indicate the integration time of the image sensor which allows flashes, strobes or other light sources to be synchronized with camera operation. The line's behavior can be controlled through the [Strobe](#) controls.

The output signal can also be directly controlled through the [General Purpose Output](#) feature.

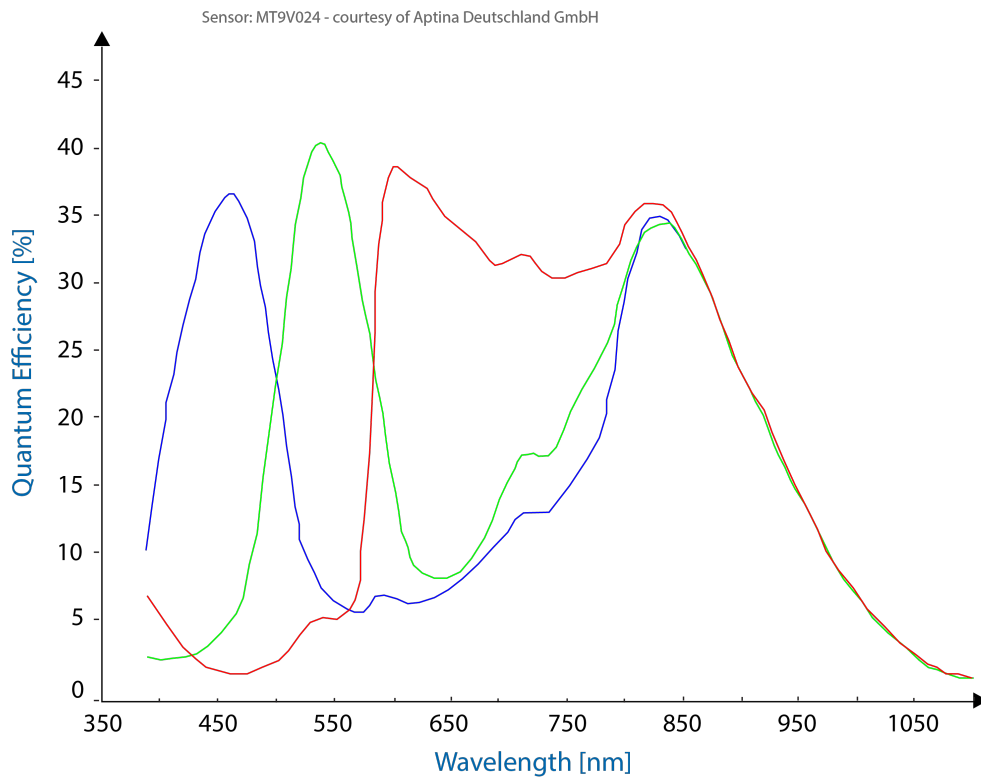


## 4 Spectral Characteristics

### 4.1 IR-Cut Filter



### 4.2 Spectral Sensitivity - MT9V024





## 5 Camera Controls

This section describes the parameters available for the DFK 33GV024 camera.

The actual name of the parameter depends on the driver technology used to access the camera. Parameter names are listed for the most common ways to access the cameras:

- *GigE Vision* (cross platform, via 3rd party driver)
- *IC Imaging Control* (on Windows, via *Device Driver for The Imaging Source GigE Cameras*)

### 5.1 Sensor Readout Control

#### 5.1.1 Pixel Format

The pixel format defines the data type of the pixels transmitted to the computer. The bits per pixel needed for a particular pixel format influence the required bandwidth.

The driver technology used to access the camera significantly impacts the way the pixel format is controlled:

- When using *GigE Vision*, the pixel format is controlled through the `PixelFormatGenICam` feature.
- When using *IC Imaging Control*, the pixel format is part of the video format - a parameter which combines pixel format, resolution and readout mode. For more information, refer to the *IC Imaging Control* documentation sections on `VideoFormat` and `VideoFormatDesc`.

The DFK 33GV024 color camera supports multiple pixel formats with variable bits-per-pixel settings. The names of the pixel formats and the way to select them depends on the driver used to control the camera. The following table contains a short overview of all possible formats followed by a more detailed description.

Pixel Format	Bits Per Pixel	GigE Vision	TIS GigE Driver
8-Bit Bayer (GB)	8	BayerGB8	RGB32, Y800
12-Bit Packed Bayer (GB)	12	BayerGB12p	RGB64, Y16
16-Bit Bayer (GB)	16	BayerGB16	RGB64, Y16
YUV 4:2:2	16	YUV422_8	YUY2
YUV 4:1:1 (a)	12	YCbCr411_8	
YUV 4:1:1 (b)	12	YCbCr411_8_CbYY CrYY	Y411
RGB24	24	BGR8	RGB24



## 5.1.1.1 8-Bit Bayer Raw

This format transmits data using one byte for each pixel.

*GigE Vision* drivers see this pixel format as one of the 8-bit bayer raw formats (BayerGR8, BayerRG8, BayerGB8, BayerBG8).

The *Device Driver for The Imaging Source GigE Cameras* simplifies this variety of possible pixel formats and offers two video formats instead: RGB32 and Y800. The RGB32 format results from the driver's automatic debayering of the raw image data, while the Y800 format contains the raw data which is reinterpreted as monochrome.

## 5.1.1.2 12-Bit Packed Bayer Raw

This format transmits data using 3 bytes for each pair of 2 consecutive pixels.

*GigE Vision* drivers see this pixel format as one of the 12-bit packed bayer raw formats (BayerGR12Packed, BayerRG12Packed, BayerGB12Packed, BayerBG12Packed).

The *Device Driver for The Imaging Source GigE Cameras* simplifies this variety of possible pixel formats and offers two video formats instead: RGB64 and Y16. The RGB64 format results from the driver's automatic debayering of the raw image data, while the Y16 format contains the raw data which is reinterpreted as monochrome. Since the DFK 33GV024 camera offers both 12-bit packed and 16-bit bayer raw pixel formats, the driver uses the 12-bit packed format when the RGB64 or Y16 video format is selected.

## 5.1.1.3 16-Bit Bayer Raw

This format transmits data using 2 bytes for each pixel.

The sensor of the DFK 33GV024 camera is not able to provide 16-bit data output. The pixel data is transmitted in the most significant bits. This allows application programs to ignore the sensor-specific data type and to treat the data as if the sensor outputs 16 bits.

*GigE Vision* drivers see this pixel format as one of the 16-bit packed bayer raw formats (BayerGR16, BayerRG16, BayerGB16, BayerBG16).

The *Device Driver for The Imaging Source GigE Cameras* simplifies this variety of possible pixel formats and offers two video formats instead: RGB64 and Y16. The RGB64 format results from the driver's automatic debayering the raw image data, while the Y16 format contains the raw data which is reinterpreted as monochrome.

## 5.1.1.4 YUV 4:2:2

This format transmits an 8-bit luminance value for every pixel and a pair of chrominance values for every two pixels.

The camera converts the raw pixel data from the sensor to YUV 4:2:2. Since YUV 4:2:2 averages to 2 bytes per pixel, the YUV 4:2:2 pixel format requires two times the bandwidth of the 8-bit raw format, thus reducing the maximum possible frame rate.

*GigE Vision* drivers see this pixel format as YUV422\_8.



The *Device Driver for The Imaging Source GigE Cameras* offers this pixel format as the YUY2 video format.

## 5.1.1.5 YUV 4:1:1

This format transmits an 8-bit luminance value for every pixel and a pair of chrominance values for every four pixels.

The two YUV 4:1:1 pixel formats only differ in their byte order.

The camera converts the raw pixel data from the sensor to YUV 4:2:2. Since YUV 4:2:2 averages to 1.5 bytes per pixel, the YUV 4:2:2 pixel format requires two 50% more bandwidth than the 8-bit raw format, thus reducing the maximum possible frame rate.

*GigE Vision* drivers see this pixel format as YCbCr411\_8 and YCbCr411\_8\_CbYYCrYY.

The *Device Driver for The Imaging Source GigE Cameras* offers this pixel format as the Y411 video format.

## 5.1.1.6 RGB24

The camera converts the raw pixel data from the sensor to RGB24. Since RGB24 uses 3 bytes to store 1 pixel, the RGB24 pixel format requires three times the bandwidth of the 8-bit raw format, thus reducing the maximum possible frame rate.

*GigE Vision* drivers enumerate this pixel format as BGR8.

The *Device Driver for The Imaging Source GigE Cameras* enumerates this pixel format as the RGB24 video format.

## 5.1.2 Resolution

The DFK 33GV024 allows the user to specify which rectangular region of the image sensor to read out during camera operation. The size of this rectangle determines the number of pixels that have to be transferred for each frame and has a significant influence on the required network bandwidth.

Lowering the resolution also often allows the image sensor to operate at a higher frame rate. Changes in the vertical resolution have more effect on the maximum frame rate than changes in the horizontal direction.

The way the resolution is controlled varies greatly between the driver technology used to access the camera:

- When using *GigE Vision*, the resolution is controlled through the GenICam features Width and Height.
- When using *IC Imaging Control*, the resolution is part of the video format, a parameter that combines pixel format, resolution and readout mode. For more information, refer to the *IC Imaging Control* documentation sections on VideoFormat and VideoFormatDesc.



Parameter	Horizontal Resolution
Minimum	96
Maximum	752
GigE Vision: GenICam	Width

Parameter	Vertical Resolution
Minimum	64
Maximum	480
GigE Vision: GenICam	Height

### 5.1.3 Frame Rate

The frame rate is specified in frames per second and determines the camera's operating speed.

The way the frame rate is controlled depends greatly upon which driver technology is used to access the camera:

- When using *GigEVision*, the frame rate is controlled through the *GenICam* feature `AcquisitionFrameRate`.
- When using IC Imaging Control, the frame rate is selected from a list of available frame rates through APIs such as `Grabber::setFPS` or `ICImagingControl.DeviceFrameRate`.

The range of available frame rates depends upon other camera settings such as well, pixel format, resolution and readout modes.

Parameter	Frame Rate
Minimum	Depending on Pixel Format, Resolution, and Readout Mode
Maximum	Depending on Pixel Format, Resolution, and Readout Mode
GigE Vision: GenICam	<code>AcquisitionFrameRate</code>

The following tables show the maximum frame rate for some combinations of pixel format and resolution.

#### 8-Bit Bayer Raw





Width	Height	Maximum Frame Rate
752	480	100
640	480	115

## 12-Bit Packed Bayer Raw

Width	Height	Maximum Frame Rate
752	480	100
640	480	115

## 16-Bit Bayer Raw

Width	Height	Maximum Frame Rate
752	480	100
640	480	115

## YUV 4:2:2

Width	Height	Maximum Frame Rate
752	480	100
640	480	115

## YUV 4:1:1 (a)

Width	Height	Maximum Frame Rate
752	480	100
640	480	115

## YUV 4:1:1 (b)

Width	Height	Maximum Frame Rate
752	480	100
640	480	115

## RGB24



Width	Height	Maximum Frame Rate
752	480	100
640	480	115

## 5.1.4 Partial Scan Offset

If the selected resolution is smaller than the sensor size, the part of the sensor that is actually read out can be specified by the *Partial Scan Offset X* and *Partial Scan Offset Y* parameters. By default, the camera automatically positions the offsets so that the center of the sensor is used.

Parameter	Partial Scan Offset X
Minimum	0
Maximum	656
GigE Vision: GenICam	OffsetX
VCD Property	VCDID_PartialScanOffset \VCDElement_PartialScanOffsetX

Parameter	Partial Scan Offset Y
Minimum	0
Maximum	416
GigE Vision: GenICam	OffsetY
VCD Property	VCDID_PartialScanOffset \VCDElement_PartialScanOffsetY

If *Partial Scan Offset X* or *Partial Scan Offset Y* is configured to a value that would be invalid with the current setting of [Resolution](#) setting, the camera uses the maximum possible value.

Parameter	Partial Scan Auto Center
On	Automatically configure Partial Scan Offset X/Y so that the center area of the sensor is read out
True	
Off	Control Partial Scan Offset X/Y manually
False	
GigE Vision: GenICam	OffsetAutoCenter
VCD Property	VCDID_PartialScanOffset \VCDElement_PartialScanAutoCenter



## 5.1.5 Image Flipping

The DFK 33GV024 camera allows flipping of the image data horizontally, vertically, or both. The *Flip Horizontal* and *Flip Vertical* parameters can be used to control this sensor feature.

Parameter	Flip Horizontal
True	Image data is flipped horizontally
False	Image data is not flipped horizontally
GigE Vision: GenICam	ReverseX
VCD Property	VCDID_FlipHorizontal\VCDElement_Value

Parameter	Flip Vertical
True	Image data is flipped vertically
False	Image data is not flipped vertically
GigE Vision: GenICam	ReverseY
VCD Property	VCDID_FlipVertical\VCDElement_Value

## 5.2 Image Sensor Control

### 5.2.1 Exposure Time

The *Exposure Time* parameter defines the time the camera opens its (electronic) shutter when it is taking an image.

Parameter	Exposure Time
Minimum	15 $\mu$ s
Maximum	0.25 s
Default	auto
GigE Vision: GenICam	ExposureTime
VCD Property	VCDID_Exposure\VCDElement_Value

### 5.2.2 Gain

The *Gain* parameter defines the amplification that is applied to the image at sensor level.



Parameter	Gain
Minimum	0 dB
Maximum	11.76 dB
Default	auto
GigE Vision: GenICam	Gain
VCD Property	VCDID_Gain\VCDElement_Value

## 5.3 Automatic Exposure and Gain Control

The DFK 33GV024 camera can automatically control gain and exposure time. These automatic functions are enabled by default.

In order to optimize image parameters, a region of interest can be specified for automatic functions. Specifying a region of interest enables fine-grained control over the image area for which the image parameters are optimized. A selection of pre-defined area presets is available, but the user can also specify the coordinates of a custom rectangle.

In certain situations, it is desirable to limit the range of the auto-controlled parameters. For example, one might want to avoid high gain settings in order to keep noise levels low. Other applications require limiting the maximum exposure time so that movements do not get blurred. Therefore, the ranges of the gain and exposure parameter can be limited.

If both auto exposure and auto gain are active, the camera tries to lower the gain value in order to reduce noise and improve the image quality.

### 5.3.1 Auto Exposure

Parameter	Auto Exposure
Continuous	Enable Auto Exposure
True	
Off	Disable Auto Exposure
False	
GigE Vision: GenICam	ExposureAuto
VCD Property	VCDID_Exposure\VCDElement_Auto



## 5.3.2 Auto Gain

Parameter	Auto Gain
Continuous	Enable Auto Gain
True	
Off	Disable Auto Gain
False	
GigE Vision: GenICam	GainAuto
VCD Property	VCDID_Gain\VCDElement_Auto

## 5.3.3 Auto Reference Value

The *Auto Reference Value* parameter specifies the target brightness for both auto exposure and auto gain.

Parameter	Auto Reference Value
Minimum	0
Maximum	255
Default	128
GigE Vision: GenICam	ExposureAutoReference
VCD Property	VCDID_Exposure\VCDElement_AutoReference

## 5.3.4 Highlight Reduction

Enabling *Highlight Reduction* lets the auto exposure and auto gain functions reduce overexposed areas in the output image. This feature is particularly useful when using 10/12/16-bit output images and a tone mapping algorithm in post-processing when using higher bit depths as the dark areas still contain a lot of useful information.

Parameter	Highlight Reduction
True	Try to reduce overexposed areas
False	Ignore overexposed areas and focus on matching the image brightness to the selected <a href="#">Auto Reference Value</a> .
GigE Vision: GenICam	ExposureAutoHighlightReduction
VCD Property	VCDID_HighlightReduction\VCDElement_Value



## 5.3.5 Auto Exposure Limits

The *Auto Exposure Lower Limit* parameter determines the minimum possible value that can be set by the auto exposure algorithm.

Parameter	Auto Exposure Lower Limit
Minimum	15 $\mu$ s
Maximum	0.25 s
GigE Vision: GenICam	ExposureAutoLowerLimit

The *Auto Exposure Upper Limit* parameter determines the maximum possible value that can be set by the auto exposure algorithm.

Parameter	Auto Exposure Upper Limit
Minimum	15 $\mu$ s
Maximum	0.25 s
GigE Vision: GenICam	ExposureAutoUpperLimit
VCD Property	VCDID_Exposure\VCDElement_AutoMaxValue

If the *Auto Exposure Upper Limit Auto* parameter is enabled, the value of *Auto Exposure Upper Limit* is automatically kept at the maximum possible value for the current frame rate.

Parameter	Auto Exposure Upper Limit Auto
On	Select <i>Auto Exposure Upper Limit</i> automatically
Off	Let the user control <i>Auto Exposure Upper Limit</i>
GigE Vision: GenICam	ExposureAutoUpperLimitAuto

## 5.3.6 Auto Gain Limits

The *Auto Gain Lower Limit* parameter determines the minimum possible value that can be set by the auto gain algorithm.

Parameter	Auto Gain Lower Limit
Minimum	0 dB
Maximum	11.76 dB
GigE Vision: GenICam	GainAutoLowerLimit



The *Auto Gain Upper Limit* parameter determines the maximum possible value that can be set by the auto gain algorithm.

Parameter	Auto Gain Upper Limit
Minimum	0 dB
Maximum	11.76 dB
GigE Vision: GenICam	GainAutoUpperLimit

## 5.4 Trigger

The trigger mode can be used to take images at very specific points in time which are specified by an electrical signal connected to the [TRIGGER\\_IN](#) pin of the I/O connector of the camera.

### 5.4.1 Trigger Mode

The *Trigger Mode* parameter enables the trigger mode.

Parameter	Trigger Mode
On	Enable Trigger Mode
True	
Off	Disable Trigger Mode
False	
GigE Vision: GenICam	TriggerMode
VCD Property	VCDID_Trigger\VCDElement_Value

### 5.4.2 Trigger Polarity

The *Trigger Polarity* parameter controls whether a trigger event is accepted on the rising or falling edge of the signal connected to the TRIGGER\_IN line.

Parameter	Trigger Polarity
RisingEdge	Accept rising edge as trigger signal
True	
FallingEdge	Accept falling edge as trigger signal
False	
GigE Vision: GenICam	TriggerActivation
VCD Property	VCDID_Trigger\VCDElement_Polarity



## 5.4.3 Software Trigger

The *Software Trigger* function can be used to simulate a trigger pulse, in turn causing one image to be exposed and delivered to the host computer.

Parameter	Software Trigger
Execute	Simulate one trigger pulse
GigE Vision: GenICam	TriggerSoftware
VCD Property	VCDID_Trigger\VCDElement_SoftwareTrigger

## 5.4.4 Trigger Burst Count

The *Trigger Burst Count* parameter allows the camera to be configured to take more than one image per trigger pulse. By default, this parameter is set to 1 so that exactly one image is acquired. The images are taken as rapidly as possible given current settings (i.e. as limited by the current exposure time and frame rate settings).

Parameter	Trigger Burst Count
Minimum	1
Maximum	1000
Default	1
GigE Vision: GenICam	AcquisitionBurstFrameCount
VCD Property	VCDID_Trigger\VCDElement_TriggerBurstCount

## 5.4.5 Trigger Source

The *Trigger Source* parameter allows the camera to be configured to only accept trigger signals from a specified source, e.g. only software trigger.

Parameter	Trigger Source
Any	Allow trigger signals from any source
Line1	Allow only hardware trigger
Software	Allow only software trigger
GigE Vision: GenICam	TriggerSource

## 5.4.6 Trigger Overlap

The *Trigger Overlap* feature gives information on when a new trigger pulse is accepted in the trigger -> exposure -> readout sequence.





Parameter	Trigger Overlap
Off	The next trigger pulse is only accepted once the previous frame has been read out from the sensor
Readout	The next trigger pulse is accepted during readout as long as the remaining readout time is shorter than the exposure time
GigE Vision: GenICam	TriggerOverlap
VCD Property	VCDID_Trigger\VCDElement_TriggerOverlap

## 5.5 Trigger Timing Parameters

The 33G series camera series offers several options for dealing with bad trigger signals. By using the *Debounce Time*, *Denoise Time* and *Mask Time* parameters, the camera can be configured to ignore pulses on its [TRIGGER\\_IN](#) line under certain conditions.

Useful values for these parameters are application-specific. They depend on the expected trigger frequency, the exposure time and assumptions about the input signal quality.

The default values for all these parameters is 0  $\mu$ s, assuming perfect signal quality.

### 5.5.1 Trigger Delay

The *Trigger Delay* parameter specifies a time for which the camera waits between receiving a trigger signal and starting the exposure of an image. Simulated trigger pulses generated through the *Software Trigger* function are not delayed by this parameter.

Parameter	Trigger Delay
Minimum	0 s
Maximum	1 s
Default	0 s
GigE Vision: GenICam	TriggerDelay
VCD Property	VCDID_Trigger\VCDElement_TriggerDelay

### 5.5.2 Trigger Debounce Time

The *Trigger Debounce Time* parameter specifies the time for which the trigger input has to be low in order for the next trigger signal to be accepted.



Parameter	Trigger Debounce Time
Minimum	0 s
Maximum	1 s
Default	0 s
GigE Vision: GenICam	TriggerDebounce
VCD Property	VCDID_Trigger\VCDElement_TriggerDebounce

### 5.5.3 Trigger Mask Time

The *Trigger Mask Time* parameter specifies the time for which trigger pulses are ignored after accepting a trigger signal.

Parameter	Trigger Mask Time
Minimum	0 s
Maximum	1 s
Default	0 s
GigE Vision: GenICam	TriggerMask
VCD Property	VCDID_Trigger\VCDElement_TriggerMask

### 5.5.4 Trigger Noise Suppression Time

The *Trigger Noise Suppression Time* parameter specifies the time for which trigger input has to be active in order to be accepted as a trigger signal.

Parameter	Trigger Noise Suppression Time
Minimum	0 s
Maximum	1 s
Default	0 s
GigE Vision: GenICam	TriggerDenoise
VCD Property	VCDID_Trigger\VCDElement_TriggerDenoise

## 5.6 Digital I/O

The 33G series has one digital input and one digital output. The digital input can be used as a [Trigger](#) input but the current status can also be examined directly.



The digital output can be configured as a [Strobe](#) output to signal the exact moment when the image sensor is sensitive to light so that external light sources can be synchronized to its operation cycle.

## 5.6.1 General Purpose Input

The *General Purpose Input* parameter allows the current status of the [TRIGGER\\_IN](#) pin.

Parameter	General Purpose Input
True	TRIGGER_IN line status is low
1	
False	TRIGGER_IN line status is high
0	
GigE Vision: GenICam	GPIIn
VCD Property	VCDID_GPIO\VCDElement_GPIORead VCDID_GPIO\VCDElement_GPIOIn

## 5.6.2 General Purpose Output

The *General Purpose Output* parameter controls the status of the [STROBE\\_OUT](#) pin.

Parameter	General Purpose Output
True	Drive the STROBE_OUT line high
1	
False	Drive the STROBE_OUT line low
0	
GigE Vision: GenICam	GPOut
VCD Property	VCDID_GPIO\VCDElement_GPIOWrite VCDID_GPIO\VCDElement_GPIOOut

## 5.7 Strobe

The strobe function controls the automatic generation of output pulses on the [STROBE\\_OUT](#) pin which is synchronized to the image sensor's exposure time.

### 5.7.1 Strobe Enable

The *Strobe Enable* parameter enables the automatic generation of strobe pulses.



Parameter	Strobe Enable
On	Strobe enabled
True	
Off	Strobe disabled
False	
GigE Vision: GenICam	StrobeEnable
VCD Property	VCDID_Strobe\VCDElement_Value

## 5.7.2 Strobe Polarity

The *Strobe Polarity* parameter can be used to invert the strobe pulse output.

Parameter	Strobe Polarity
ActiveHigh	The STROBE_OUT pin is logically high during the exposure time
True	
ActiveLow	The STROBE_OUT pin is logically low during the exposure time
False	
GigE Vision: GenICam	StrobePolarity
VCD Property	VCDID_Strobe\VCDElement_StrobePolarity

## 5.7.3 Strobe Operation

The *Strobe Operation* parameter specifies how the length of the strobe pulses are controlled.

Parameter	Strobe Operation
Exposure	Output pulse duration is equal to the current exposure time
True	
GigE Vision: GenICam	StrobeOperation
VCD Property	VCDID_Strobe\VCDElement_StrobeMode

## 5.8 White Balance

The DFK 33GV024 color camera can perform white balance by digital multiplication of the appropriate raw pixel values.



## 5.8.1 Auto White Balance

DFK 33GV024 can perform *Auto White Balance*. It can be enabled continuously when changes in lighting conditions are expected. Under controlled lighting conditions, however, one-time white balance calibration is the recommended approach.

To perform one-time white balance calibration, place a reference white sheet in front of the camera and set `BalanceWhiteAuto` to *Once*. The camera will then find the correct white balance settings for the current light conditions and keep them active until instructed otherwise.

Parameter	Auto White Balance
Continuous	Enable automatic white balance
True	
Once	Enable automatic white balance until the color channels have been balanced once
One Push	
Off	Disable automatic white balance
False	
GigE Vision: GenICam	<code>BalanceWhiteAuto</code>
VCD Property	<code>VCDID_WhiteBalance\VCDElement_Auto</code> <code>VCDID_WhiteBalance\VCDElement_OnePush</code>

## 5.8.2 White Balance Mode

The default auto white balance algorithm is *Gray World*. It is selected by setting the *White Balance Mode* accordingly. The *Gray World* algorithm operates under the assumption that the average color of a scene is near gray and adjusts the white balance coefficients so the average color of the resulting image is gray as well. In the case where this assumption is wrong (e.g. the camera is pointing at a blue carpet), the auto white balance algorithm will select coefficients that do not result in a visually accurate image.

To avoid the problems posed by the *Gray World* algorithm, the *Temperature* mode can be used. This mode operates by trying to determine the color temperature of the light source.

Parameter	White Balance Mode
Gray World	Use the <i>Gray World</i> model
Temperature	Use the <i>Temperature</i> model
GigE Vision: GenICam	<code>BalanceWhiteMode</code>
VCD Property	<code>VCDID_WhiteBalance</code> <code>\VCDElement_WhiteBalanceMode</code>



To assist the automatic white balance temperature detection, *White Balance Auto Preset* can be used to limit the range of valid color temperatures.

Parameter	White Balance Auto Preset
Any	Allow any color temperature
Auto Warm White	Limit color temperature to approximately 2500-4000 K
Auto Cool White	Limit color temperature to approximately 4000-5800 K
Auto Daylight	Limit color temperature to approximately 5700-7500 K
Auto Deep Shade	Limit color temperature to approximately 7500-10000 K
GigE Vision: GenICam	BalanceWhiteAutoPreset
VCD Property	VCDID_WhiteBalance \VCDElement_WhiteBalanceAutoPreset

### 5.8.3 Manual White Balance

If *Auto White Balance* is not enabled, the amplifiers for the red, green and blue channels can be controlled manually.

Parameter	White Balance Red
Minimum	0
Maximum	3.984375
Default	auto
GigE Vision: GenICam	BalanceRatio[BalanceRatioSelector=Red]
VCD Property	VCDID_WhiteBalance \VCDElement_WhiteBalanceRed

Parameter	White Balance Green
Minimum	0
Maximum	3.984375
Default	auto
GigE Vision: GenICam	BalanceRatio[BalanceRatioSelector=Green]
VCD Property	VCDID_WhiteBalance \VCDElement_WhiteBalanceGreen



Parameter	White Balance Blue
Minimum	0
Maximum	3.984375
Default	auto
GigE Vision: GenICam	BalanceRatio[BalanceRatioSelector=Blue]
VCD Property	VCDID_WhiteBalance \VCDElement_WhiteBalanceBlue

If *White Balance Mode* is set to *Temperature*, the color temperature can be set directly. Additionally, a light source can be selected from a list of presets.

Parameter	White Balance Temperature
Minimum	2500 K
Maximum	10000 K
Default	auto
GigE Vision: GenICam	BalanceWhiteTemperature
VCD Property	VCDID_WhiteBalance \VCDElement_WhiteBalanceTemperature

Parameter	White Balance Temperature Preset
Sodium-Vapor Lamp	2500 K
Warm Light	2700 K
Halogen Light	3000 K
Neutral White	3500 K
Cool White Fluorescent Light	4000 K
Cool White/Daylight (CFL)	5000 K
Daylight	6000 K
Cool White LED	7500 K
Blue Sky	10000 K
GigE Vision: GenICam	BalanceWhiteTemperaturePreset
VCD Property	VCDID_WhiteBalance \VCDElement_TemperaturePreset



## 5.9 Image Processing

### 5.9.1 Gamma

The 33G series cameras can perform gamma correction on the image data. If the pixel format of a color camera is set a YUV mode, gamma correction is applied to the Y channel. In bayer raw and RGB24 modes, all color channels are subject to the same gamma correction.

Parameter	Gamma
Minimum	0.01
Maximum	5.0
Default	1.0
GigE Vision: GenICam	Gamma
VCD Property	VCDID_Gamma\VCDElement_Value

### 5.9.2 Lookup Table

The 33G series allows the user to specify a lookup table (LUT) that can transform pixel values. This lookup table can be used to perform tasks like histogram equalization inside the camera.

If the pixel format of a color camera is set to one of the YUV modes, the lookup table is applied only to the Y channel. In bayer raw and RGB24 modes, all color channels are subject to the same lookup operation.

The lookup table has 257 16-bit entries. The upper 8 bits of the image data are used to select the appropriate entry in the lookup table, while the remaining bits are used to interpolate between the selected entry and one of its neighbors.

The *LUT Enable* feature enables the lookup table.

Parameter	LUT Enable
True	Enable lookup table operation
False	Disable lookup table operation
GigE Vision: GenICam	LUTEnable

The lookup table values can be programmed using the *LUT Index* and *LUT Value* features.





Parameter	LUT Index
Minimum	0
Maximum	256
GigE Vision: GenICam	LUTIndex

Parameter	LUT Value
Minimum	0
Maximum	65535
GigE Vision: GenICam	LUTValue

The whole lookup table can be quickly reprogrammed through the *LUT Value All* feature.

Parameter	LUT Value All
Value	1028 bytes of memory containing 257 LUT entries. Each 16-bit LUT entry is aligned on a 32-bit boundary
GigE Vision: GenICam	LUTValueAll

**Important:** Since gamma correction is implemented using the same hardware as the lookup table, gamma correction is disabled when the lookup table is enabled.

## 5.10 Color Processing

The DFK 33GV024 color camera allows color adjustments with the *Hue* and *Saturation* parameters. These adjustments work with all output pixel formats.

**Important:** When a bayer raw pixel format is selected, *Hue* and *Saturation* still work. However, when at least one of them is enabled (set to non-default value), the resulting image is slightly blurred because of the way these parameters are implemented internally.

### 5.10.1 Hue

The *Hue* parameter controls the color angle of the output image.



Parameter	Hue
Minimum	-180
Maximum	180
Default	0
GigE Vision: GenICam	Hue
VCD Property	VCDID_Hue\VCDElement_Value

## 5.10.2 Saturation

The *Saturation* parameter controls the color saturation of the output image.

Parameter	Saturation
Minimum	0
Maximum	255
Default	64
GigE Vision: GenICam	Saturation
VCD Property	VCDID_Saturation\VCDElement_Value

## 5.10.3 Color Correction Matrix

As seen in the [Spectral Characteristics](#) diagram, the frequencies at which the red, green and blue pixels respond to incoming light overlap. This causes the colors of objects in captured images to differ from the colors of the same objects seen in reality.

A RGB to RGB color correction matrix can be used to change the pixel data output of the camera so that the colors in captured image are a closer match to what is expected by human observers.

Parameter	Enable Color Correction Matrix
True	Enable Color Correction Matrix
False	Disable Color Correction Matrix
GigE Vision: GenICam	ColorTransformationEnable
VCD Property	VCDID_ColorMatrix\VCDElement_Value

By default, the values of the color matrix coefficients are initialized with values optimized for skin tones and other everyday objects.

If necessary, the matrix coefficients can be controlled manually.



When using *GenICam*, select a coefficient using `ColorTransformationValueSelector` and then change it via the `ColorTransformationValue`.

When using *IC Imaging Control*, the matrix coefficients are controlled via the `VCDElement_ColorMatrix[RGB][RGB]` elements of `VCDID_ColorMatrix`.

Parameter	Red contribution to the red pixel
Minimum	-1.0
Maximum	3.0
GigE Vision: GenICam	<code>ColorTransformationValue</code> <code>[ColorTransformationValueSelector=Gain00]</code>
VCD Property	<code>VCDID_ColorMatrix</code> <code>\VCDElement_ColorMatrixRR</code>

Parameter	Green contribution to the red pixel
Minimum	-1.0
Maximum	3.0
GigE Vision: GenICam	<code>ColorTransformationValue</code> <code>[ColorTransformationValueSelector=Gain01]</code>
VCD Property	<code>VCDID_ColorMatrix</code> <code>\VCDElement_ColorMatrixRG</code>

Parameter	Blue contribution to the red pixel
Minimum	-1.0
Maximum	3.0
GigE Vision: GenICam	<code>ColorTransformationValue</code> <code>[ColorTransformationValueSelector=Gain02]</code>
VCD Property	<code>VCDID_ColorMatrix</code> <code>\VCDElement_ColorMatrixRB</code>

Parameter	Red contribution to the green pixel
Minimum	-1.0
Maximum	3.0
GigE Vision: GenICam	<code>ColorTransformationValue</code> <code>[ColorTransformationValueSelector=Gain10]</code>
VCD Property	<code>VCDID_ColorMatrix</code> <code>\VCDElement_ColorMatrixGR</code>



Parameter	Green contribution to the green pixel
Minimum	-1.0
Maximum	3.0
GigE Vision: GenICam	ColorTransformationValue [ColorTransformationValueSelector=Gain11]
VCD Property	VCDID_ColorMatrix \VCDElement_ColorMatrixGG

Parameter	Blue contribution to the green pixel
Minimum	-1.0
Maximum	3.0
GigE Vision: GenICam	ColorTransformationValue [ColorTransformationValueSelector=Gain12]
VCD Property	VCDID_ColorMatrix \VCDElement_ColorMatrixGB

Parameter	Red contribution to the blue pixel
Minimum	-1.0
Maximum	3.0
GigE Vision: GenICam	ColorTransformationValue [ColorTransformationValueSelector=Gain20]
VCD Property	VCDID_ColorMatrix \VCDElement_ColorMatrixBR

Parameter	Green contribution to the blue pixel
Minimum	-1.0
Maximum	3.0
GigE Vision: GenICam	ColorTransformationValue [ColorTransformationValueSelector=Gain21]
VCD Property	VCDID_ColorMatrix \VCDElement_ColorMatrixBG



Parameter	Blue contribution to the blue pixel
Minimum	-1.0
Maximum	3.0
GigE Vision: GenICam	ColorTransformationValue [ColorTransformationValueSelector=Gain22]
VCD Property	VCDID_ColorMatrix \VCDElement_ColorMatrixBB

## 5.11 Region of Interest for Auto Functions

The 33G series cameras allow for the setting of a region of interest that is used while controlling the [Auto Exposure](#), [Auto Gain](#) and [Auto White Balance](#) functions.

### 5.11.1 Auto Functions ROI Enable

The *Auto Functions ROI Enable* parameter allows for the use of a region of interest for auto functions.

Parameter	Auto Functions ROI Enable
True	Auto functions only take a specified part of the image into account
False	Auto functions look at the whole image
GigE Vision: GenICam	AutoFunctionsROIEnable
VCD Property	VCDID_AutoRoi\VCDElement_Value

### 5.11.2 Auto Functions ROI Preset

The *Auto Functions ROI Preset* parameter lets the user select from a list of ROI presets.



Parameter	Auto Functions ROI Preset
Full Sensor	Select the full output image
Center 50%	Select a rectangular area in the center of the output image
Center 25%	Select a small rectangular area in the center of the output image
Bottom Half	Select the bottom half of the output image
Top Half	Select the top half of the output image
Custom Rectangle	Select a custom rectangle for fine-grained control
GigE Vision: GenICam	AutoFunctionsROI_Preset
VCD Property	VCDID_AutoRoi\VCDElement_AutoRoiPreset

### 5.11.3 Auto Functions ROI Custom Rectangle

When *Auto Functions ROI Preset* is set to *Custom Rectangle*, the user can manually set the position and size of the region of interest. The coordinates are relative to the origin of the current video format as specified by [Partial Scan Offset](#).

Parameter	Auto Functions ROI Left
Minimum	0
Maximum	736
GigE Vision: GenICam	AutoFunctionsROI_Left
VCD Property	VCDID_AutoRoi \VCDElement_AutoRoiLeftRelative

Parameter	Auto Functions ROI Top
Minimum	0
Maximum	464
GigE Vision: GenICam	AutoFunctionsROI_Top
VCD Property	VCDID_AutoRoi \VCDElement_AutoRoiTopRelative



Parameter	Auto Functions ROI Width
Minimum	16
Maximum	752
GigE Vision: GenICam	AutoFunctionsROIWidth
VCD Property	VCDID_AutoRoi \VCDElement_AutoRoiWidthRelative

Parameter	Auto Functions ROI Height
Minimum	16
Maximum	480
GigE Vision: GenICam	AutoFunctionsROIHeight
VCD Property	VCDID_AutoRoi \VCDElement_AutoRoiHeightRelative

## 5.12 User Sets

The 33G series cameras can store their complete configuration into built-in non-volatile memory. The camera configuration can be saved into and restored from one of two available memory slots upon user's request. Additionally, the camera can be configured to load one of the user's camera configurations at startup.

### 5.12.1 User Set Selector

The *User Set Selector* parameter selects the memory slot on which consecutive load and save commands are executed.

Parameter	User Set Selector
UserSet1	First of the two memory slots for user configurations
UserSet2	Second of the two memory slots for user configurations
Default	A special memory slot that always contains the camera's factory default configuration. It cannot be overwritten
GigE Vision: GenICam	UserSetSelector

### 5.12.2 Load User Set

By using the *Load User Set* command, the user can restore the camera configuration from the memory slot selected by *User Set Selector*.



Parameter	Load User Set
Execute	Restore the camera configuration from the memory slot specified by <i>User Set Selector</i>
GigE Vision: GenICam	UserSetLoad

### 5.12.3 Save User Set

By using the *Save User Set* command, the user can save the camera configuration into the memory slot selected by *User Set Selector*.

Parameter	Save User Set
Execute	Save the current camera configuration into the memory slot specified by <i>User Set Selector</i>
GigE Vision: GenICam	UserSetSave

### 5.12.4 Default User Set

The *Default User Set* parameter controls the camera's startup behavior. It selects which memory slot is used for device initialization when the camera is powered up.

Parameter	Default User Set
UserSet1	Load configuration from the first memory slot
UserSet2	Load configuration from the second memory slot
Default	Load factory default configuration
GigE Vision: GenICam	UserSetDefault





## 6 Revision History

Date	Version	Description
2018/05/28		Initial release of this document
2019/03/25	Firmware 2331	Add additional pixel processing features (Gamma, Hue, Saturation, YUV pixel formats)



## DFK 33GV024 Technical Reference Manual

All product and company names in this document may be trademarks and tradenames of their respective owners and are hereby acknowledged.

The Imaging Source Europe GmbH cannot and does not take any responsibility or liability for any information contained in this document. The source code presented in this document is exclusively used for didactic purposes. The Imaging Source does not assume any kind of warranty expressed or implied, resulting from the use of the content of this document or the source code.

The Imaging Source Company reserves the right to make changes in specifications, function or design at any time and without prior notice.

Last update: April 2019

© 2019 The Imaging Source

All rights reserved. Reprint, also in parts, only allowed with permission of The Imaging Source Europe GmbH.

All weights and dimensions are approximate. Unless otherwise specified, the lenses shown in the context of cameras are not shipped with these cameras.

### **Headquarters:**

*The Imaging Source Europe GmbH  
Überseetor 18, D-28217 Bremen, Germany  
Phone: +49 421 33591-0*

### **North & South America:**

*The Imaging Source, LLC  
6926 Shannon Willow Rd, S 400, Charlotte, NC 28226, USA  
Phone: +1 704-370-0110*

### **Asia Pacific:**

*The Imaging Source Asia Co., Ltd.  
2F., No.8, Xinhua 1st Road  
Taipei City 114, Neihu District, Taiwan  
Phone: +886 2-2792-3153*

[www.theimagingsource.com](http://www.theimagingsource.com)