

Preliminary

www.vieworks.com

VA-47MC-7 VA-47MX-9

HIGH RESOLUTION 47 MEGAPIXEL CCD CAMERAS
AVAILABLE IN CAMERA LINK OR COAXPRESS INTERFACE



**CAMERA
Link**

CoaxPress®

The VA-47MC and VA-47MX, the latest members of the industrial proven VA series, are new 47 megapixel resolution CCD cameras available in Camera Link or CoaXPRESS interface. Both the VA-47MC and VA-47MX use the latest 47 megapixel CCD imaging sensor (KAI-47051) technology from On Semiconductor, and offer frame rate of 7 fps and 9 fps at full resolution respectively.

Equipped with the Vieworks' advanced technologies proved by world top FPD manufacturers, the VA-47M cameras offer not only highly uniformed images but also high speed image capabilities.

Featured with high resolution and high speed, this brand new technology is ideal for demanding applications such as flat panel display inspection, electronics inspection, aerial imaging, and ground surveillance.

VIEWORKS

VA-47MC-7 / VA-47MX-9

High Resolution 47 megapixels CCD cameras available in Camera Link or CoaXPress interface

Main Features

- * Progressive Scan IT CCD Imager (On Semi)
- * 16 Taps Readout
- * High Dynamic Range up to 68 dB
- * Camera Link Medium Interface up to 7 fps
- * CoaXPress Interface up to 9 fps at 12.5 Gbps using 2 CH
- * Field Upgradable Firmware
- * Excellent Anti-blooming and Anti-smear
- * Flat Field Correction
- * Advanced PRNU and DSNU Correction
- * Tap Linearity Correction

Applications

- * Flat Panel Display Inspection
- * Electronics and Semiconductor Inspection
- * Aerial Imaging
- * Ground Surveillance

Specifications



Model	VA-47MC-M/C 7
Resolution (H × V)	8856 × 5280
Pixel Size	5.5 μm × 5.5 μm
Sensor	On Semi KAI 47051
Sensor Size (Optical Diagonal)	56.7 mm
Sensor Type	Progressive Scan Interline Transfer CCD
Sensor Output	16 Tap
Interface	Camera Link Medium
Max. Frame Rate	7 fps
Exposure Time	TBD μs ~ 60 s
Partial Scan (Max. Speed)	TBD fps at TBD Lines
Pixel Data Format	8 / 10 / 12 bit
Electronic Shutter	Global Shutter
Data Output Pixel Clock Speed	40 MHz
Exposure Mode	Free-Run, Timed, Trigger Width
Dynamic Range	68 dB
Binning	×1, ×2, ×4 (Horizontal and Vertical Independent)
Black Level	Adjustable (0 ~ 256 LSB at 12 bit)
Video Gain	×1 ~ ×4
Dimension / Weight	85 mm × 85 mm × 86 mm / 710 g
Lens Mount	M72-mount, Custom mount available upon request
Temperature	Operating: -5°C ~ 40°C, Storage: -40°C ~ 70°C
Power	10 ~ 24 V DC, Typical 14 W
Compliance	CE, FCC, KC
Configuration Software	Configurator

VA-47MC-7 / VA-47MX-9

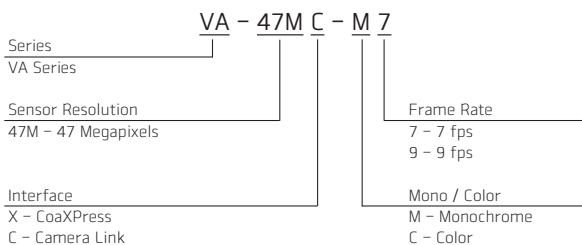
High Resolution 47 megapixels CCD cameras available in Camera Link or CoaXPress interface

Specifications

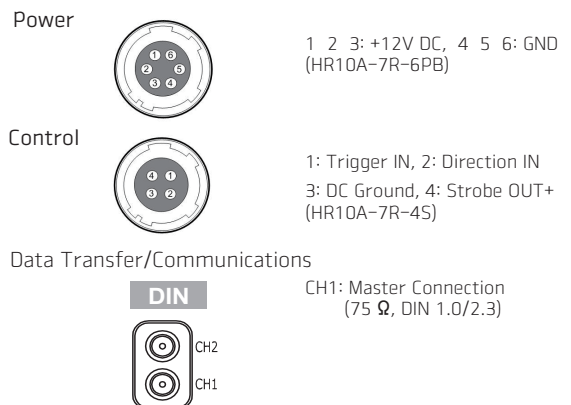


Model	VA-47MX-M/C 9	
Resolution (H × V)	8856 × 5280	
Pixel Size	5.5 μm × 5.5 μm	
Sensor	On Semi KAI 47051	
Sensor Size (Optical Diagonal)	56.7 mm	
Sensor Type	Progressive Scan Interline Transfer CCD	
Sensor Output	16 Tap	
Interface	CoaXPress	
Max. Frame Rate	9 fps	
Exposure Time	TBD μs ~ 60 s	
Partial Scan (Max. Speed)	TBD fps at TBD Lines	
Pixel Data Format	8 / 10 / 12 bit	
Electronic Shutter	Global Shutter	
Exposure Mode	Free-Run, Timed, Trigger Width	
Dynamic Range	68 dB	
Binning	×1, ×2, ×4 (Horizontal and Vertical Independent)	
Black Level	Adjustable (0 ~ 256 LSB at 12 bit)	
Video Gain	×1 ~ ×4	
Dimension / Weight	85 mm × 85 mm × 86 mm / 710 g	
Lens Mount	M72-mount, Custom mount available upon request	
Temperature	Operating: -5°C ~ 40°C, Storage: -40°C ~ 70°C	
Power	Adapter	10 ~ 24 V DC, Typical 14 W
	PoCXP	24 V DC
Compliance	CE, FCC, KC	
API SDK	Vieworks Imaging Solution 7.X	

Ordering Scheme



Connector Specification



Connectors on camera body

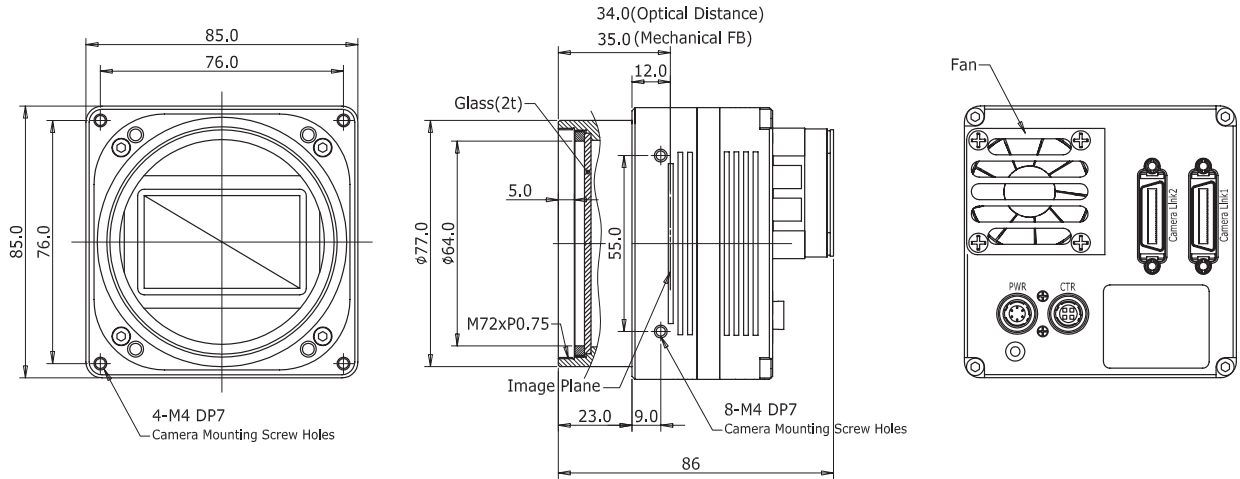
VA-47MC-7 / VA-47MX-9

High Resolution 47 megapixels CCD cameras available in Camera Link or CoaXPress interface

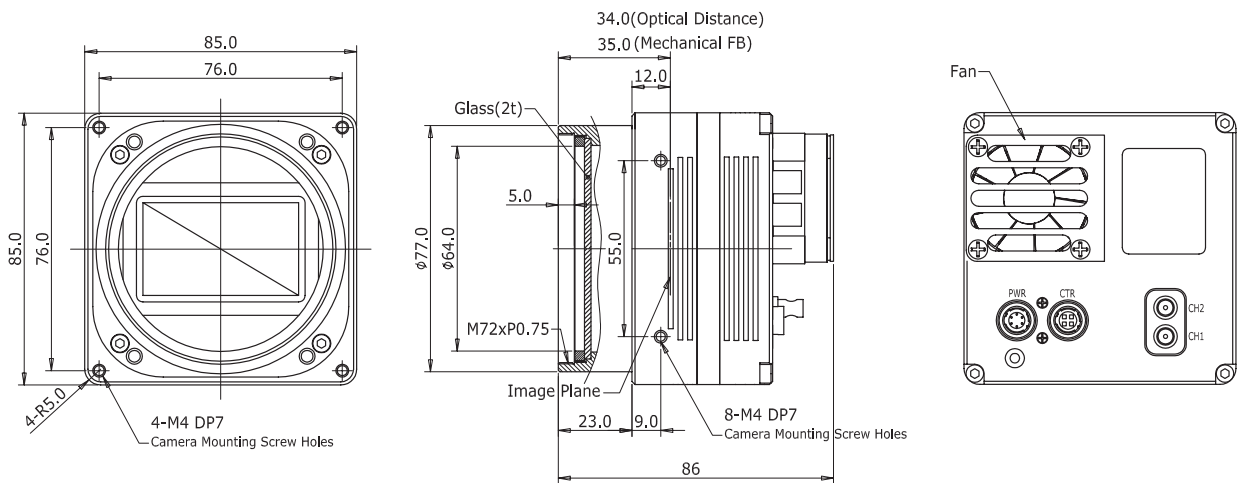
Mechanical Dimensions

Unit: mm

Camera Link



CoaXPress



* An optional heat sink (without a fan) model is available upon request.

For more information please contact local distributor or visit our website at <http://www.vieworks.com>.

Reproduction in whole or in part without written permission is prohibited. Vieworks Co., Ltd. is not responsible for any technical or typographical errors and reserves the right to make changes to products, specifications and documentation without prior notice.

VW40-161-005

VIEWORKS

41-3, Burim-ro 170 beon-gil, Dongan-gu, Anyang-si, Gyeonggi-do, 14055 Republic of Korea
tel +82-70-7011-6161 fax +82-31-386-8631 e-mail sales@vieworks.com