



vieworks

# VH-11MC / VH-16MC

11 & 16 MEGA PIXEL HIGH RESOLUTION, HIGH SPEED,  
CAMERA LINK INTERFACE, PROGRAMMABLE DIGITAL CAMERA



VH-11MC and VH-16MC are Progressive Scan type high-resolution industrial Area Scan cameras. All functions can be programmed and updated in the field without any disassembling process. The combination of Vieworks' vision technology and top class Kodak CCD sensors, makes VH series suitable for a wide range of applications such as Machine Vision, Research, Scientific and Remote Sensing applications.

## Main Features

- \*Camera Link Interface
- \*Kodak Progressive Scan IT CCD Imager
- \*8/10/12 bit Data Output, User Defined LUT
- \*Flat Field Correction
- \*Field Upgradeable Firmware
- \*Defective Pixel Compensation
- \*Available in Color or Monochrome

## Applications

- \*Flat Panel Display Inspection
- \*Research and Scientific Imaging
- \*Machine Vision Inspections
- \*Microscopy and Metrology
- \*Remote Sensing and Scanning

[www.vieworks.com](http://www.vieworks.com)



# VH-11MC / VH-16MC

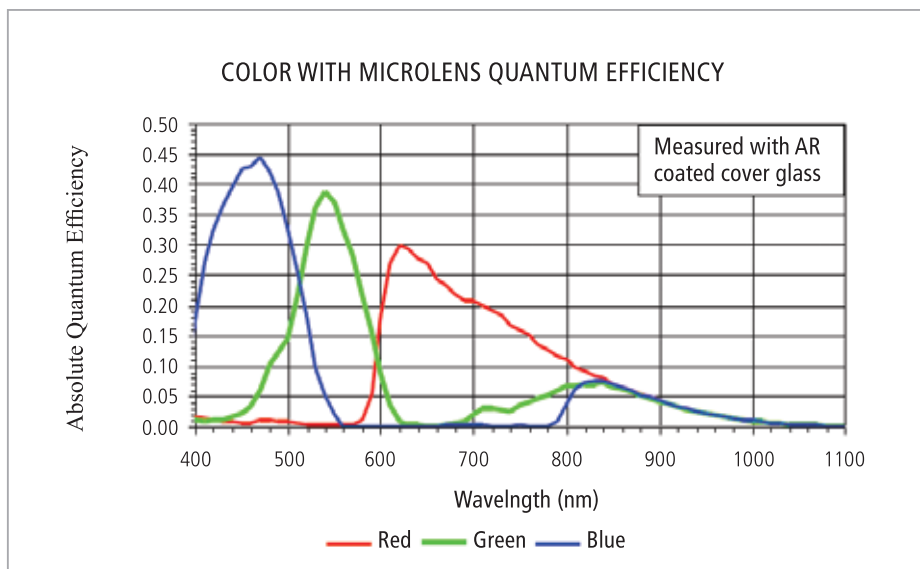
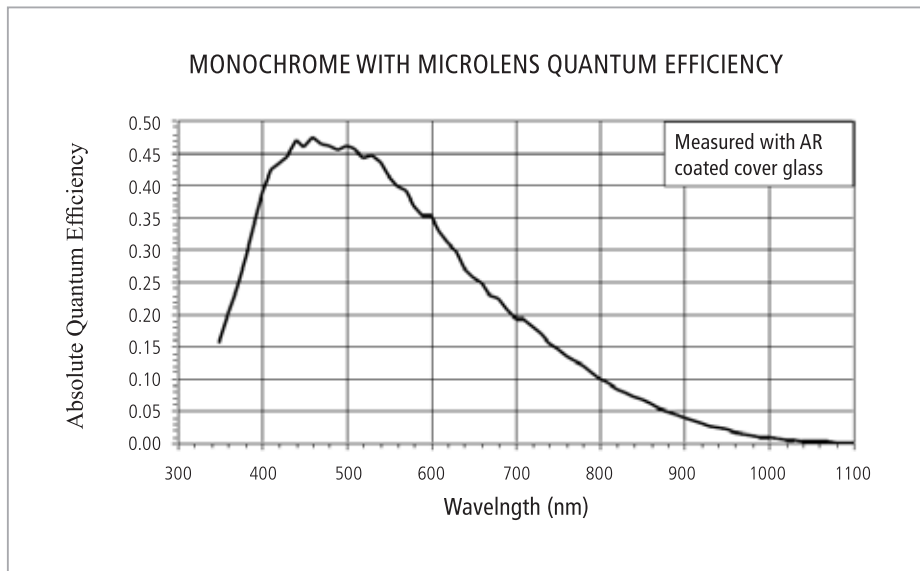
11 & 16 MEGA PIXEL HIGH RESOLUTION, HIGH SPEED,  
CAMERA LINK INTERFACE, PROGRAMMABLE DIGITAL CAMERA



## Specifications

Model	VH-11MC	VH-16MC
Active Image	4008(H) × 2672(V)	4872(H) × 3248(V)
Pixel Clock	40/30 MHz	40/30 MHz
Pixel size	9.0 μm × 9.0 μm	7.4 μm × 7.4 μm
Video Output	8/10/12 bits, 1 or 2 Tap	
Camera Interface	Camera Link	
Max. Frame Rate	6.4 fps (dual) / 3.4 fps (single)	4.2 fps (dual) / 2.2 fps (single)
Exposure Time	1/7000 sec ~7 sec (10 us step)	1/4500 sec ~7 sec (10 us step)
Partial Scan	27 fps at 334 Lines (max. speed)	17 fps at 406 Lines (max. speed)
Gamma Correction	User defined LUT	
Black Offset	Adjustable (0~127 LSB at 12 bit, 256 step)	
Video Gain	Analog: 0 ~ 32 dB, 900 step	
Trigger Mode	Mode( free run , standard, fast, double, overlap ) Programmable exposure time, Programmable trigger polarity	
External Trigger	External, 3.3V - 5.0V, 10mA, optically isolated	
Software Trigger	CC1, programmable expose	
Dynamic Range	> 64 dB	
Lens Mount	F-mount	
Power	10~14V DC , MAX. 6W	
Environmental	-5°C~+40°C, storage : -30°C~65°C	
Mechanical	68mmX68mmX83.0mm, 460g (w/ F-mount adaptor)	



## Quantum Efficiency Curves



## Ordering Scheme

<b>VH - 16MC - M4AO</b>	
<b>Series</b> VH series	<b>Sensor Option</b> A0 - Kodak
<b>Sensor Resolution</b> 11M - 11 megapixels 16M - 16 megapixels	<b>Frame Rate</b> 4 - 4 fps 6 - 6 fps
<b>Interface</b> C - Camera Link	<b>Mono / Color</b> M - Monochrome C - Color

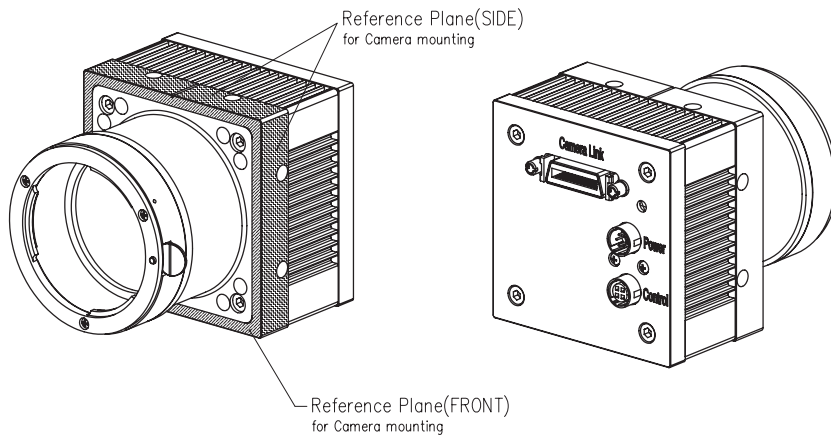
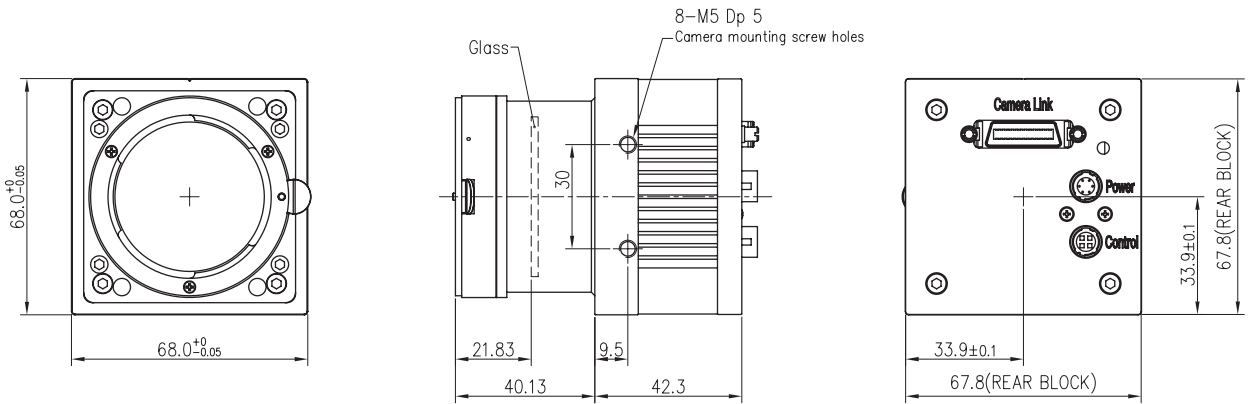
## Connector Specifications

<b>Power</b>		1 2 3 : +12V DC, 4 5 6 : GND (HR10A-7R-6PB)
<b>Control</b>		1 : Trigger IN+, 2 : Trigger IN- 3 : Strobe OUT- (GND), 4 : Strobe OUT+ (HR10A-7R-4SB)

Connectors on camera body

# Mechanical Dimensions

Unit : mm



For more information please contact local distributor or visit our website at [www.vieworks.com](http://www.vieworks.com)

Reproduction in whole or in part without written permission is prohibited. Vieworks Co., Ltd. is not responsible for any technical or typographical errors and reserves the right to make changes to products, specifications and documentation without prior notice.

VMCB-VHC2-R001EN



vieworks

ISO-9001, ISO-13485

Corporate Headquarters

Vieworks Co., Ltd. # 604 Suntechcity II, 307-2 Sangdaewon-dong, Jungwon-gu, Seongnam-city, Gyeonggi-do, 462-806 South Korea  
tel +82-70-7011-6161 fax +82-31-737-4954 e-mail [sales@vieworks.com](mailto:sales@vieworks.com) web site <http://www.vieworks.com>