
VC-155M

THE WORLD'S FIRST 155 MEGAPIXEL CMOS CAMERA



- * 155 Megapixel Resolution with a 3.5 μm Pixel Size
- * 16384 \times 9440 Pixels with a 66.1 mm in Diagonal
- * CoaXPress Interface up to 15.0 fps at 25 Gbps using 4 CH
- * Camera Link Full Interface up to 4.2 fps
- * Pre-emphasis Feature for Camera Link (up to 10 m cable length at 85 MHz)
- * Flat Field Correction
- * 2 \times Binning – Horizontal and Vertical Independent
- * Lookup Table (LUT)

VIEWORKS

VC-155M

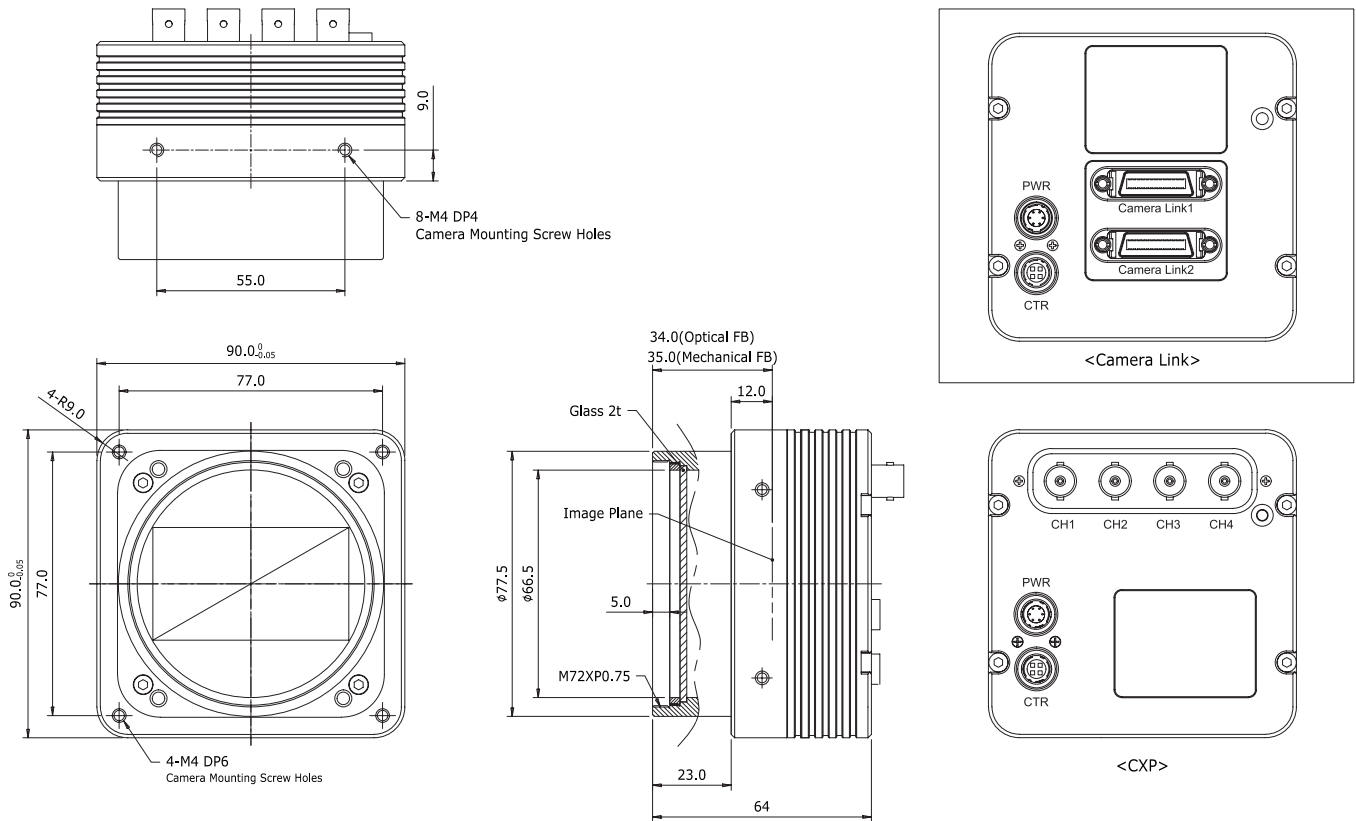
The World's First 155 Megapixel CMOS Camera

Applications

- * Flat Panel Display Inspection
- * Electronics Inspection
- * Semiconductor Inspection
- * Document / Film Scanning

Mechanical Dimensions

Unit: mm



For more information please contact local distributor or visit our website at <http://www.vieworks.com>.

Reproduction in whole or in part without written permission is prohibited. Vieworks Co., Ltd. is not responsible for any technical or typographical errors and reserves the right to make changes to products, specifications and documentation without prior notice.

D-17-560

VIEWORKS

41-3, Burim-ro 170 beon-gil, Dongan-gu, Anyang-si, Gyeonggi-do, 14055 Republic of Korea
tel +82-70-7011-6161 fax +82-31-386-8631 e-mail sales@vieworks.com