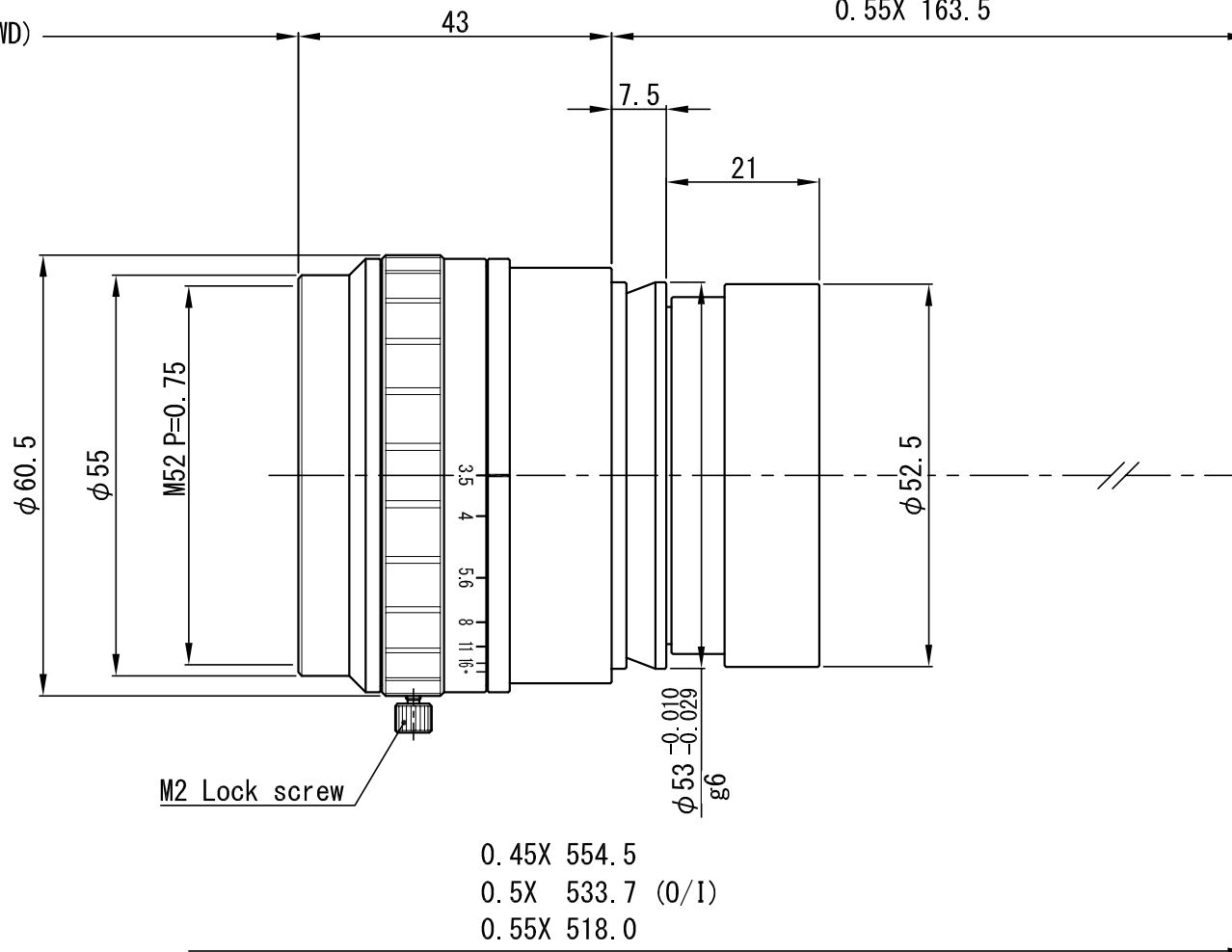


0.45X 360.0
 0.5X 333.2 (WD)
 0.55X 311.5

0.45X 151.5
 0.5X 157.5 (FB)
 0.55X 163.5



0.45X 554.5
 0.5X 533.7 (0/1)
 0.55X 518.0

△×				APPROVED	CHECKED	MATERIAL 材料	-	CHAMFER 一般面取	-	QUANTITY 個数				
△×				T. A.	T. A.	TREATMENT 処理	-	FINISHING 仕上	-	-				
△×						TREATMENT CONTACT 処理接点	-	DECENTRATION 偏芯	-					
△×				DESIGNED	DRAWN	OVER 250 UP TO 1000	±0.3 ±0.5 ±1.0 ±0.2	ANGLE 角度	METHOD 図法	REMARK 適用 (機種名)				
△×				T. A.	T. T.	OVER 63 UP TO 250	±0.2 ±0.3 ±0.6 ±0.15	UNIT (mm)	-	VS-L12035-05/V				
△×						OVER 16 UP TO 63	±0.1 ±0.2 ±0.4 ±0.1				SCALE	1 / 1	NAME	外觀圖
△×						OVER 0 UP TO 16	±0.05 ±0.1 ±0.2 ±0.1				DATE	14.11.19	DRAW NO.	010E0804A1
NO. × 箇所	REVISION 訂正事項	DATE	NAME			TOLERANCES	A B C S							