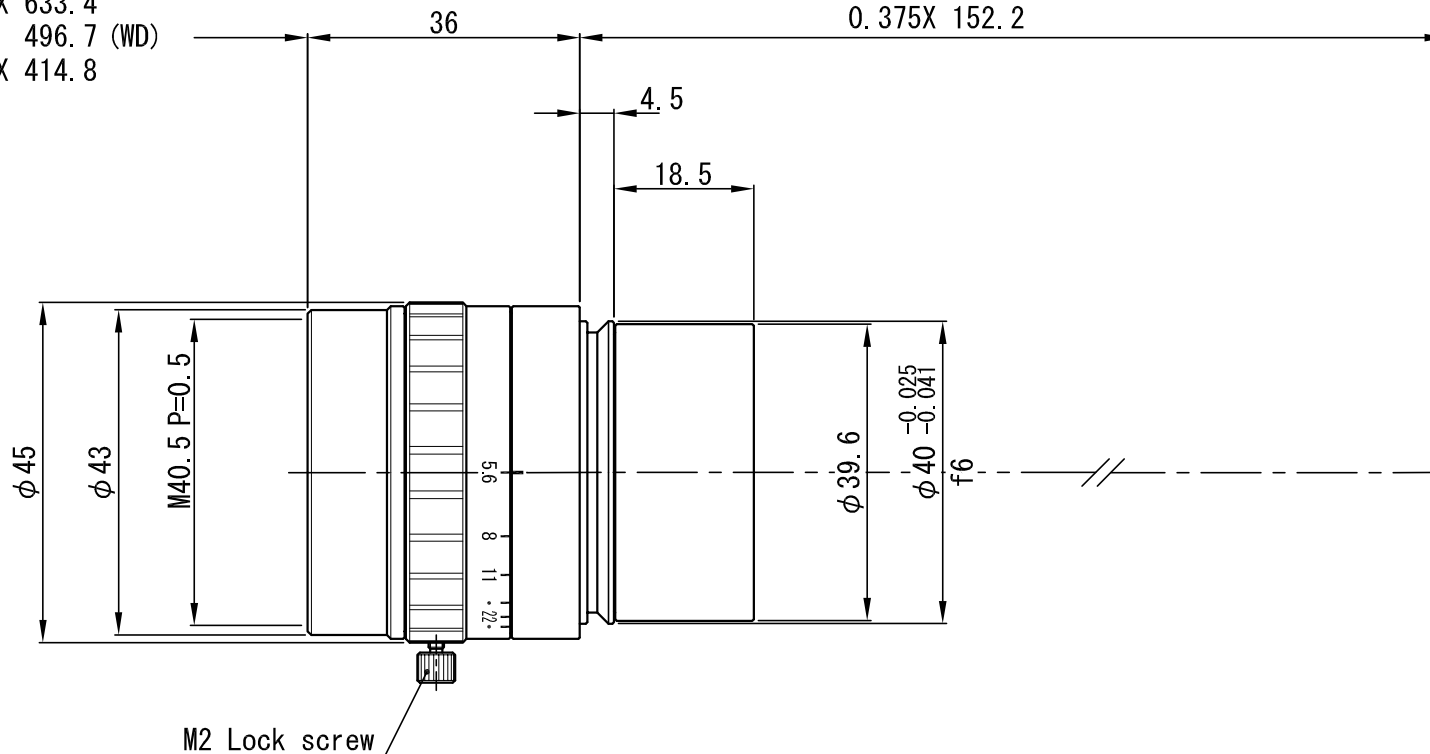


0.225X 633.4
 0.3X 496.7 (WD)
 0.375X 414.8

0.225X 133.8
 0.3X 143.0 (FB)
 0.375X 152.2



0.225X 803.2
 0.3X 675.7 (O/I)
 0.375X 603.0

△				APPROVED	CHECKED	MATERIAL 材料	-	CHAMFER 一般面取	-	QUANTITY 個数
△				T. A.	T. A.	TREATMENT 処理	-	FINISHING 仕上	-	-
△						TREATMENT CONTACT 処理接点	-	DECENTRATION 偏芯	-	
△				DESIGNED	DRAWN	OVER 250 UP TO 1000 ±0.3 ±0.5 ±1.0 ±0.2	UNIT (mm)	ANGLE 角度	METHOD 図法	REMARK 適用 (機種名)
△				T. A.	T. T.	OVER 63 UP TO 250 ±0.2 ±0.3 ±0.6 ±0.15		-		VS-L12056-03/V
△						OVER 16 UP TO 63 ±0.1 ±0.2 ±0.4 ±0.1		SCALE		
	DATE	EXCH NO.	REVISION 変更記事			OVER 0 UP TO 16 ±0.05 ±0.1 ±0.2 ±0.1	DATE	13.06.14	DRAW NO.	01DIMC0329A1
						TOLERANCES A B C S				