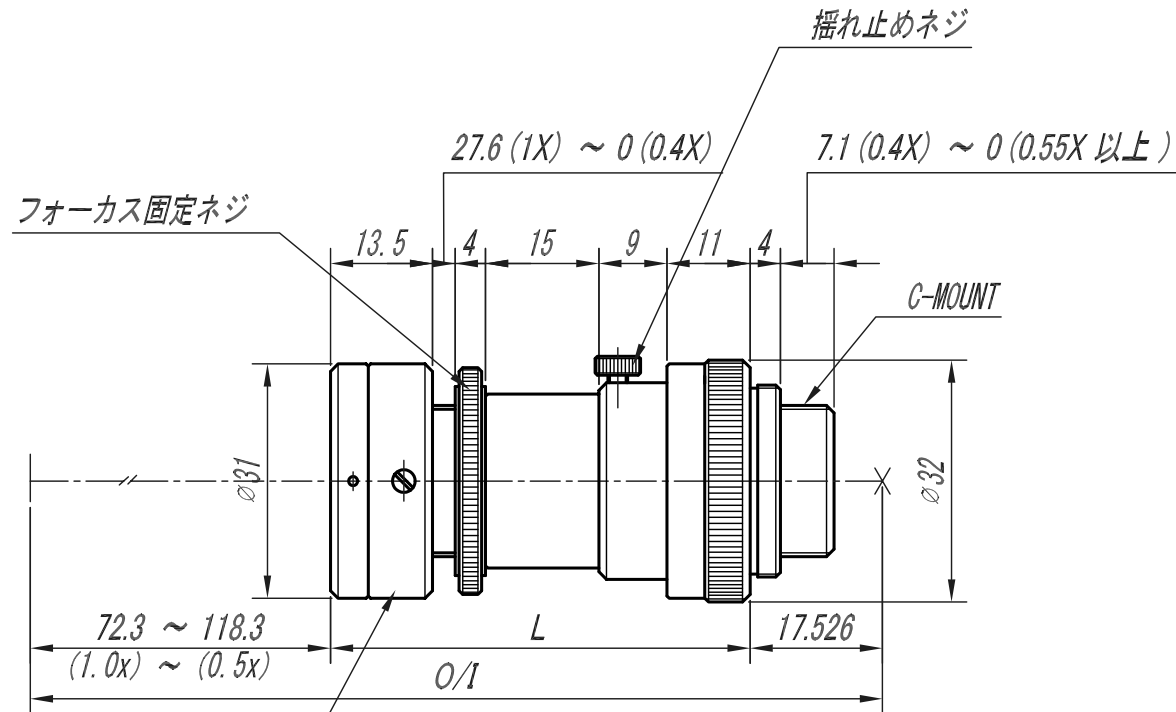


|    |    |    |    |    |
|----|----|----|----|----|
| 品番 | 品名 | 材料 | 個数 | 記事 |
|----|----|----|----|----|



| 倍率    | WD    | L    | 0/1   |
|-------|-------|------|-------|
| 0.4X  | 157.7 | 52.2 | 226.5 |
| 0.5X  | 134.6 | 55.9 | 208   |
| 0.75X | 104.0 | 67.4 | 188.9 |
| 1.0X  | 88.6  | 78.8 | 185   |

|   |      |          |               |          |         |                     |       |      |      |                       |           |           |           |                    |     |                        |  |             |
|---|------|----------|---------------|----------|---------|---------------------|-------|------|------|-----------------------|-----------|-----------|-----------|--------------------|-----|------------------------|--|-------------|
| △ |      |          |               | APPROVED | CHECKED | MATERIAL 材料         |       |      |      | FINISH/ROUGHNESS 仕上程度 |           |           |           | HEAT TREATMENT 熱処理 |     | SURFACE TREATMENT 表面処理 |  | QUANTITY 個数 |
| △ |      |          |               | J. A.    | T. A.   |                     |       |      |      |                       |           |           |           |                    |     |                        |  |             |
| △ |      |          |               | DESIGNED | DRAWN   | OVER 250 UP TO 1000 | ±0.3  | ±0.5 | ±1.0 | ±0.2                  | UNIT (mm) | ANGLE 角度  | METHOD 図法 | REMARK 適用 (機種名)    |     |                        |  |             |
| △ |      |          |               |          |         | OVER 63 UP TO 250   | ±0.2  | ±0.3 | ±0.6 | ±0.15                 |           |           |           | VS-MC0510S-UV      |     |                        |  |             |
| △ |      |          |               | T. T.    | T. M.   | OVER 16 UP TO 63    | ±0.1  | ±0.2 | ±0.4 | ±0.1                  |           | SCALE     | 1 / 1     | NAME               | 外観図 |                        |  |             |
| △ |      |          |               |          |         | OVER 0 UP TO 16     | ±0.05 | ±0.1 | ±0.2 | ±0.1                  | DATE      | '03.11.01 | DRAW NO.  | ODMC0021A1         |     |                        |  |             |
|   | DATE | EXCH NO. | REVISION 変更記事 |          |         | TOLERANCES          | A     | B    | C    | S                     |           |           |           |                    |     |                        |  |             |